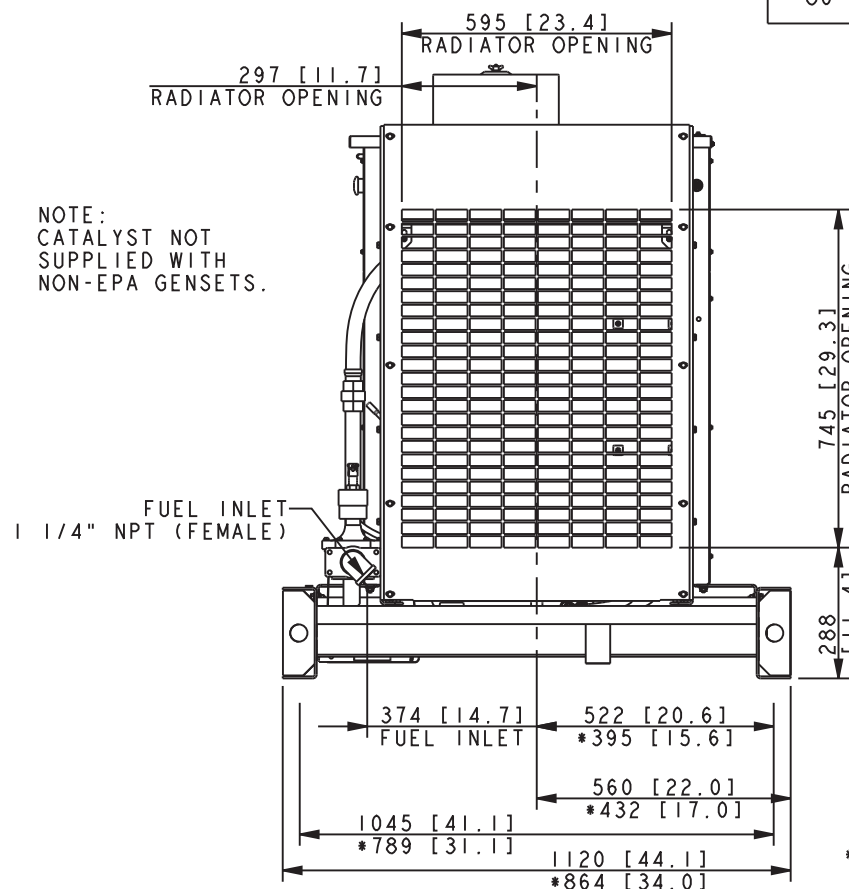
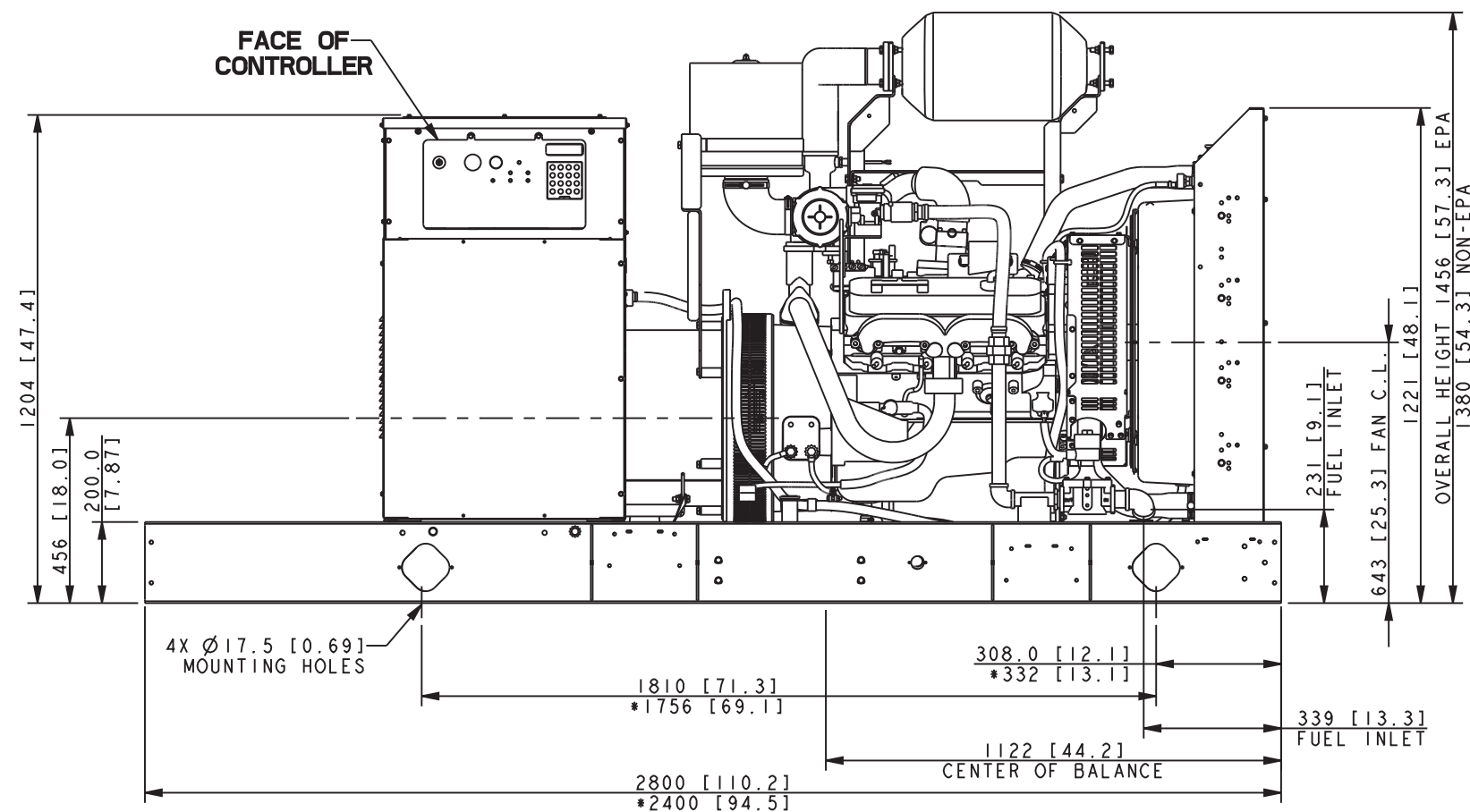


MODEL	ALTERNATOR	WEIGHT WET	
		KG	LBS
80	4R9X/4T9X	1300	2865



\* - DENOTES 34" SKID WIDTH  
DIMENSIONS IN [ ] ARE ENGLISH STANDARD EQUIVALENTS

80 MODEL  
4R9X/4T9X  
RECONNECTABLE  
IMPROVED MOTOR STARTING (IMS) RECONNECTABLE  
& 600V ALTERNATORS  
5.7L GM TURBO/CAC

REV	DATE	ON COMPOSITE DWGS. SEE PART NO. FOR REVISION LEVEL	BY
-	3-24-11	NEW DRAWING [90651-6]	CWF

UNLESS OTHERWISE SPECIFIED:  
1) DIMENSIONS ARE IN MILLIMETERS  
2) TOLERANCES ARE:  
X.XX ±  
X.X ±  
X ±  
ANGLES ±

SURFACE FINISH  
MAX.

THIRD ANGLE PROJECTION

APPROVALS	DATE
DRAWN CWF	3-24-11
CHECKED CWF	3-24-11
APPROVED GDF	3-24-11

**KOHLER CO. METRIC PRO-E**  
POWER SYSTEMS, KOHLER, WI 53044 U.S.A.  
THIS DRAWING IN DESIGN AND DETAIL IS KOHLER CO. PROPERTY AND MUST NOT BE USED EXCEPT IN CONNECTION WITH KOHLER CO. WORK. ALL RIGHTS OF DESIGN OR INVENTION ARE RESERVED.

TITLE  
**DIMENSION PRINT, 80KW GM 5.7L TURBO,4RX**

SCALE 0.12 CAD NO. SHEET 1 of 2  
DWG NO. **ADV-8165**

