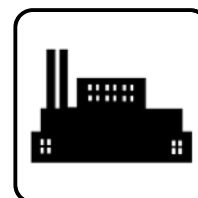


Service Parts

Engine



Engine Model:

General Motors 5.0/5.7 L Powertrain EPA Certified Engines

Generator Models:

48/60RCL
48RCLA
50/60REZG(B)
50/60ERES(B)
80REZGB/D
80RZGD
80ERESB/D
100REZGB/D
100RZGD
100ERESB/D



KOHLER
Power Systems

TP-6731 7/16d

Table of Contents

Description	Page
Introduction	3
Number System Significance	3
Illustrations	3
How to Find Part Numbers	3
Model Number Index	4
1-1: Dipstick	5
1-1: Dress Kit	6
1-2: Starter	7
1-3: Fan Spacer	9
1-4: Lifting Eye, Idler, Belt	10
1-5: Flywheel Adapter	13
1-6: Flywheel/Housing	14
1-7: Exhaust Manifold	16
1-8: Exhaust Pipe	18
1-9: Thermostat	20
1-10: High Voltage Switch (HVS)	21
1-11: Electrical	22
1-12: Ignition System	24
1-13.1: Fuel System	26
1-13.2: Fuel System, EPR/Mixer	28
1-13.3: Fuel System, Throttle Body	29
1-14: Pulley Assembly	30
1-15: Alternator	31
1-18: Oil Filter/Adapter	32
1-19: Intake Manifold	33
1-20.1: Turbocharger	34
1-20.2: Turbocharger Hardware	35
1-21: Freeze Plug	36
1-22: Water Pump Hardware	36
2-1: Engine Block/Lower End	38
2-2: Engine Head Upper End	42

Introduction

This manual lists service replacement parts for General Motors 5.0L and 5.7L engines.

Information in this publication represents data available at the time of print. Kohler Co. reserves the right to change this publication and the products represented without notice and without any obligation or liability whatsoever.

This manual includes the following main sections:

Table of Contents. Lists the sections of the manual.

Introduction (and other information sections). Contains introductory material about part numbers, illustrations, and hardware.

Index. Lists the engine models and groups.

Group Parts Lists. List the part numbers of parts in the groups.

Numbering System Significance

This manual uses the following numbering systems:

Model. The product identification number located on the nameplate. Engines break down into groups.

Group Number. A unique number representing a parts group needed to assemble a generator set function. For example, Group 1-2 is the Starter group.

Part Number. The part number identifies an individual assembly, subassembly, component, or accessory kit.

Illustrations

Illustrations (or exploded-view drawings) best representing the widest range of variations accompany most groups in this manual. Illustrations do not depict all details and may not show all parts. Do not substitute illustrations for assembly or disassembly.

How to Find Part Numbers

Use the following steps to locate a service replacement part.

1. Locate the nameplate to **identify the model number**.
2. **Turn to the Model Index.** The first column identifies the groups of parts that make up the engine. The headings identify the models.
3. **Find the group variation number** at the intersection of the group row and the model column. Note the variation number.
4. **Page forward to locate the group and variation** identified above or find the appropriate page in the Table of Contents.
5. **Find the part on the illustration** and note the item number of the part or **find the part description in the parts list**.

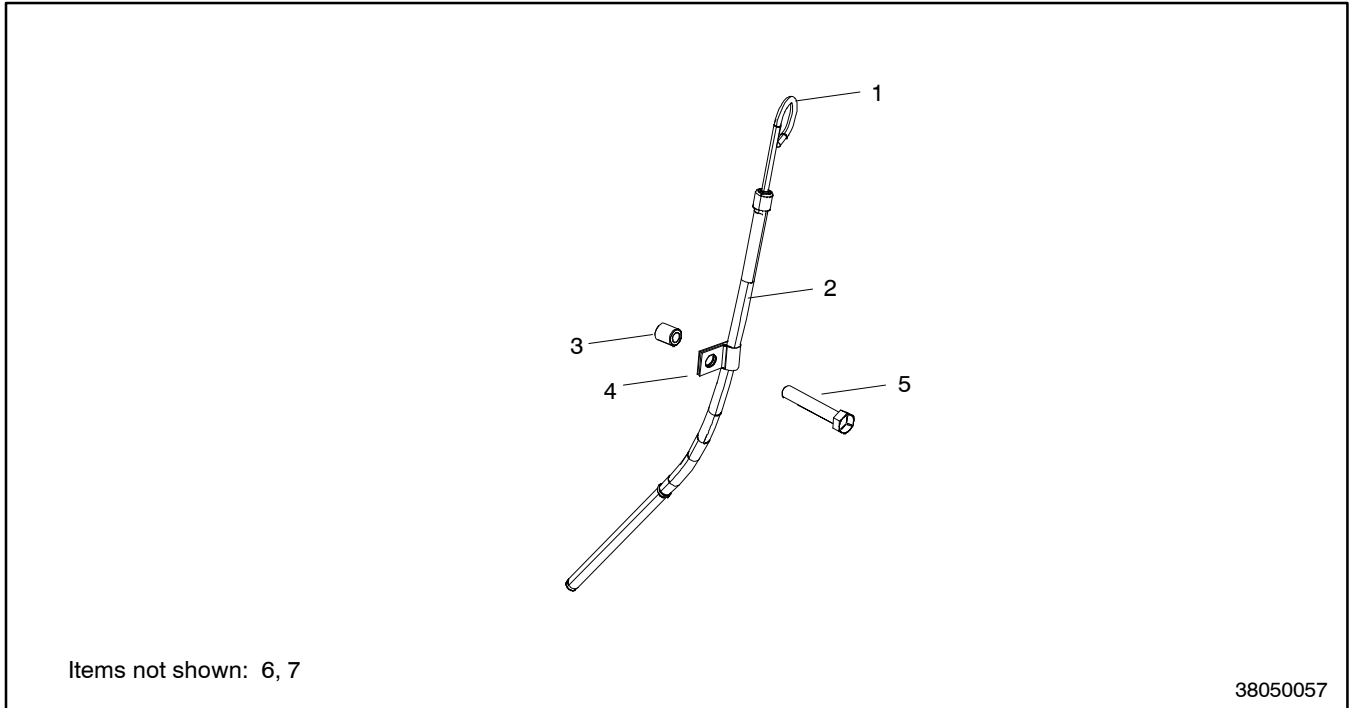
Model Index

Group Description	Variation			
	Model			
	48RCL	50REZG(B) 50ERES(B)	60REZG(B) 60ERES(B)	48RCLA/ 60RCL
1-1: Dipstick	38050057	38050057	38050057	38050057
1-2: Starter	38050322	38050322	38050322	38050322
1-3: Fan Spacer	-	38040622	38040622	-
1-4: Lifting Eye, Idler, Belt	38050356	38050332	38050332	38050356
1-5: Flywheel Adapter	38030121	38030121	38030121	38030121
1-6: Flywheel/Housing	38030247	38030247	38030262	38030262
1-7: Exhaust Manifold	38050801	38050801	38050801	38050801
1-8: Exhaust Pipe	-	38050809	38050809	-
1-9: Thermostat	38050634	38050634	38050634	38050634
1-10: High Voltage Switch (HVS) Coil & Distributor	38050326	38050326	38050326	38050326
1-11: Electrical	38050325	38050325	38050325	38050325
1-12: Ignition System	38050327	38050327	38050327	38050327
1-13.1: Fuel System	38050441	38050441	38050441	38050441
1-13.2: Fuel System, EPR/Mixer	38050445	38050445	38050445	38050445
1-13.3: Fuel System, Throttle Body	38050449	38050449	38050449	38050449
1-14: Crank Damper/Pulley Assembly	38051406	38051406	38051406	38051406
1-15: Alternator	38050308	38050308	38050308	38050308
1-18: Oil Filter	38050060	38050060	38050060	38050060
1-19: Intake Manifold	38050812	38050812	38050812	38050812
1-22: Water Pump Hardware	38900649	38900649	38900649	38900649
2-1: Engine Block/Lower End	5.0 L	5.0 L	5.7 L	5.7 L
2-2: Engine Head/Upper End	5.0 L	5.0 L	5.7 L	5.7 L

Group Description	Variation	
	Model	
	80REZGB/D 80ERESB/D 80RZGD	100REZGB/D 100ERESB/D 100RZGD
1-1: Dress Kit	38050040	38050040
1-2: Starter	38050328	38050328
1-3: Fan Spacer	38050647	38050647
1-4: Lifting Eye, Idler, Belt	38051414	38051414
1-5: Flywheel Adapter	38030121	38030121
1-6: Flywheel/Housing	38030262	38030262
1-7: Exhaust Manifold	38050833	38050833
1-8: Exhaust Pipe	38050834	38050834
1-9: Thermostat	38050634	38050634
1-10: High Voltage Switch (HVS) Coil & Distributor	38050326	38050326
1-11: Electrical	38050337	38050337
1-12: Ignition System	38050329	38050329
1-13.1: Fuel System	38050442	38050442
1-13.2: Fuel System, EPR/Mixer	38050445	38050445
1-15: Alternator	38050308	38050308
1-18.1: Oil Filter	38050064	38050064
1-18.1: Oil Cooler Hardware	38050066	38050066
1-19: Intake Manifold	38050843	38050843
1-20.1: Turbocharger	38050835	38050835
1-20.2: Turbocharger Hardware	38050849	-
1-21: Freeze Plug	38050850	38050850
1-22: Water Pump Hardware	38900649	38900649
1-23: Charge Air Cooler Tubing	-	1
2-1: Engine Block/Lower End	5.7 L	5.7 L
2-2: Engine Head/Upper End	5.7 L	5.7 L

1-1: Dipstick

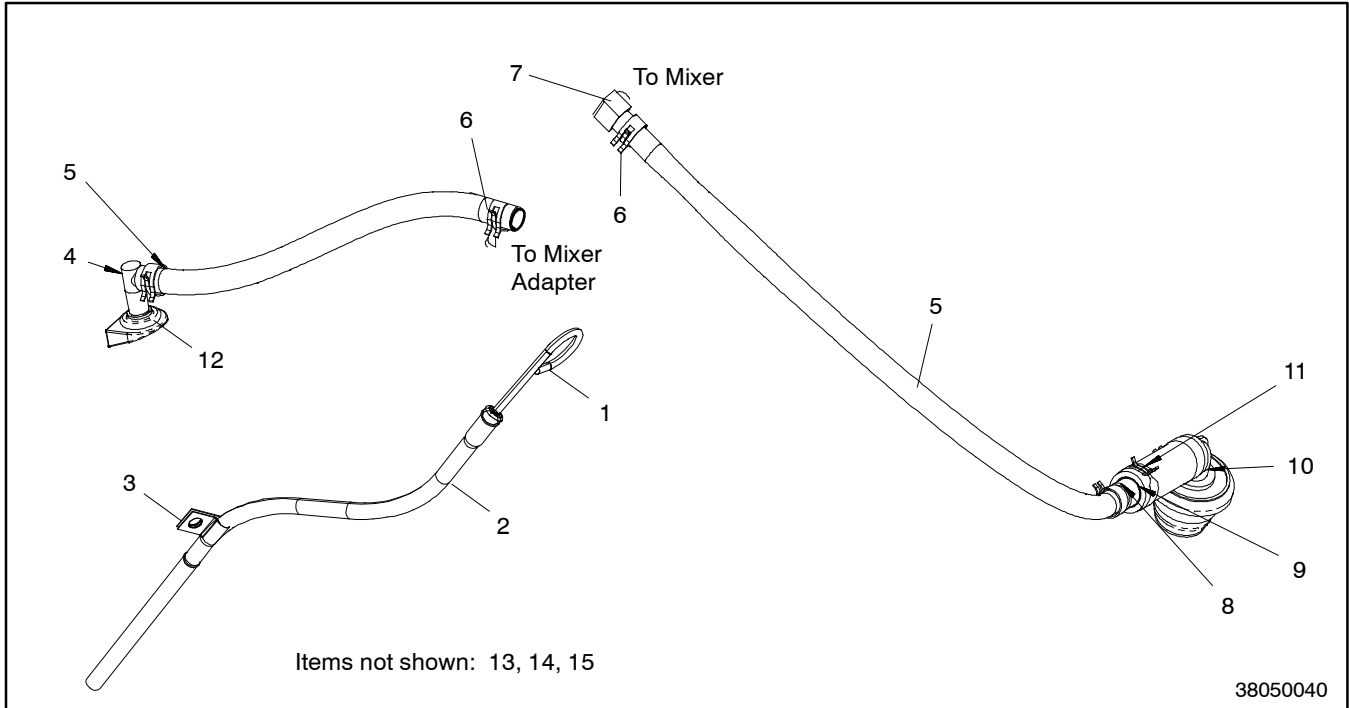
Variation: 38050057



Item	Part No.	Description	Qty.
1	GM75142	Dipstick	1
2	GM75147	Tube, Dipstick	1
3	GM16182	Spacer, mount, 8 mm	1
4	GM75221	Clamp, Dipstick	1
5	#	Bolt, 1/4-20 x 2 Hx Hd Grade 5	1
6	GM28960	Washer, flat SAE	1
7	GM24188	Washer, lock 1/4 in.	1

1-1: Dress Kit

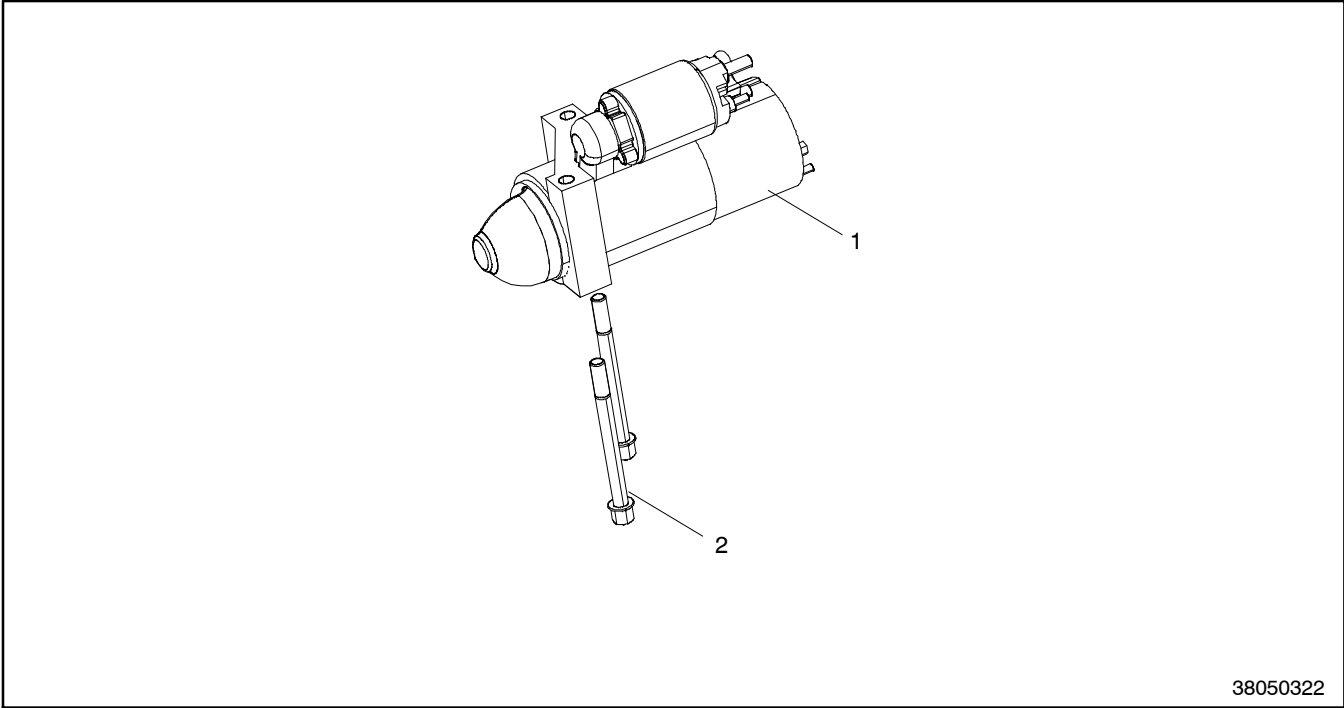
Variation: 38050040



Item	Part No.	Description	Qty.	Item	Part No.	Description	Qty.
1	GM85012	Tube, Dipstick	1	9	GM69492	Tube, 0.625 ID x 3 in.	3
2	GM75142	Dipstick	1	10	GM16157	Elbow, PCV system 5/8" 45 deg.	1
3	GM75221	Clamp, Dipstick	1	11	GM75131	Clamp, Hose 7/8"Od	2
4	GM16159	Valve, PCV	1	12	GM16143	Grommet, PCV valve	2
5	GM16158	Hose, PCV, 3/8" (37 in.)	1	13	GM85028	O-ring, Dash 108 Buna-N	1
6	GM69488	Clamp, hose 3/8 (spring type)	4	14	GM85035	Spacer, 13/32 ID x3/4 OD	1
7	GM75148	Ftg, 1/8NPT X 3/8Hs 45 Deg.	1	15	GM72314	Plug, pipe 3/8 in. int. Manifold	1
8	GM69490	Adapter, barb 5/8 to 3/8 nylon	1				

1-2: Starter

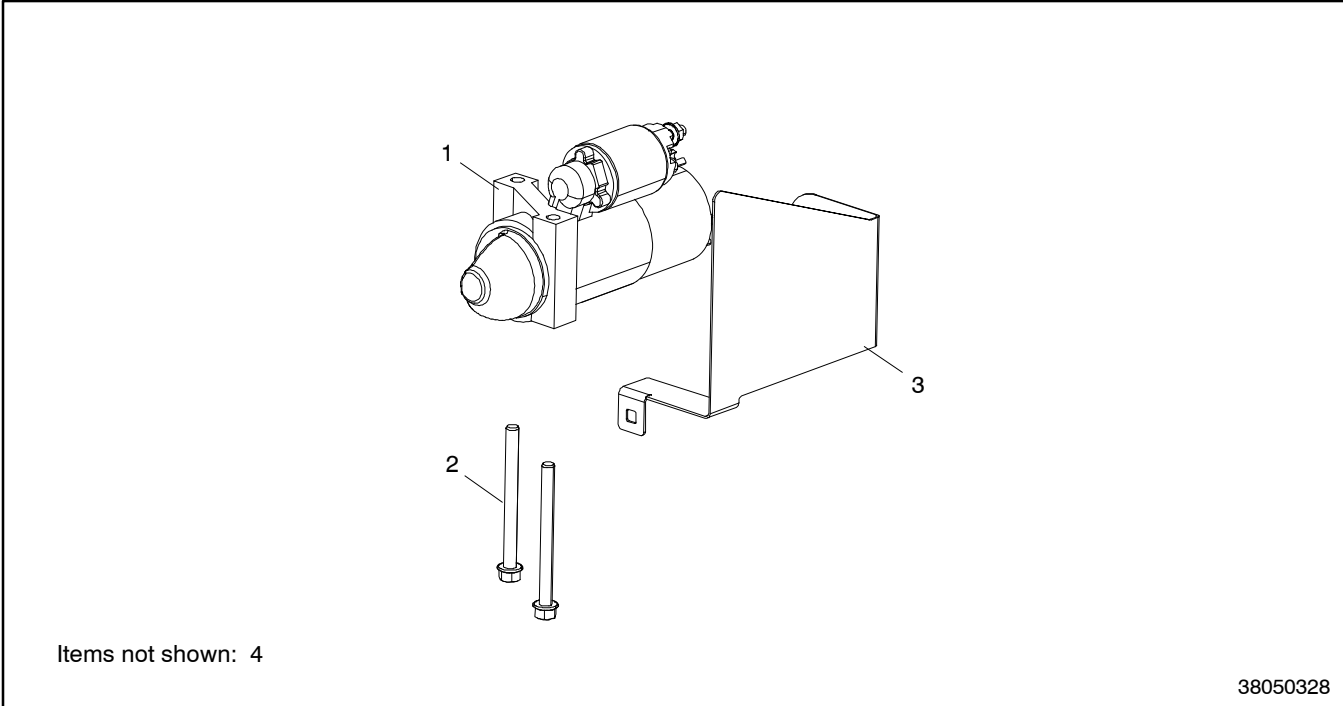
Variation: 38050322



Item	Part No.	Description	Qty.
1	GM93490	Starter	1
2	GM16190	Bolt, starter	2

1-2: Starter

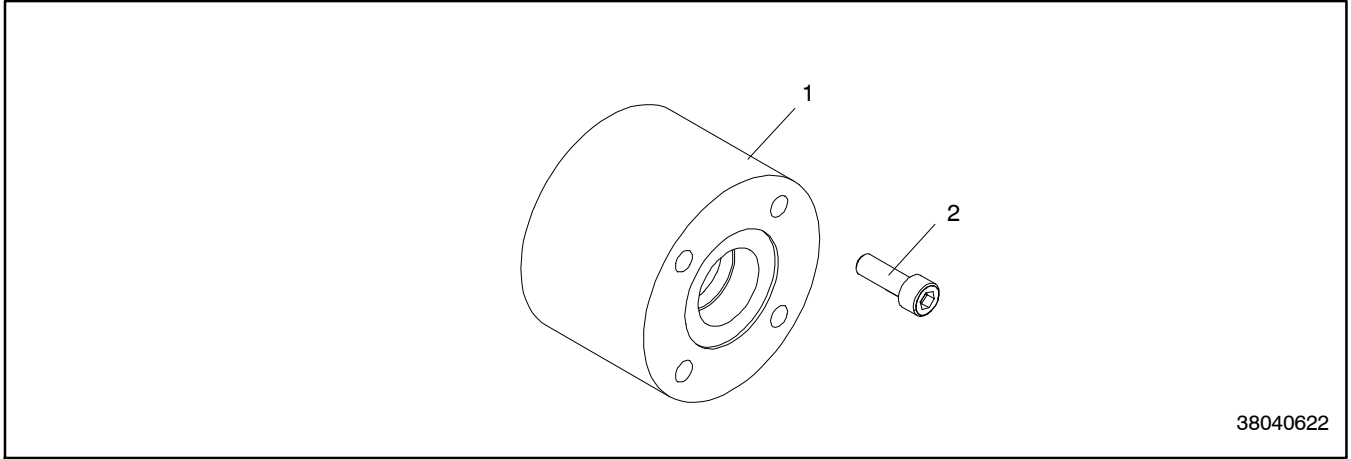
Variation: 38050328



Item	Part No.	Description	Qty.
1	GM93490	Starter	1
2	GM16190	Bolt, starter, 4"	2
3	GM85030	Shield, Starter	1
4	GM25977	Nut, 10-24	2

1-3: Fan Spacer

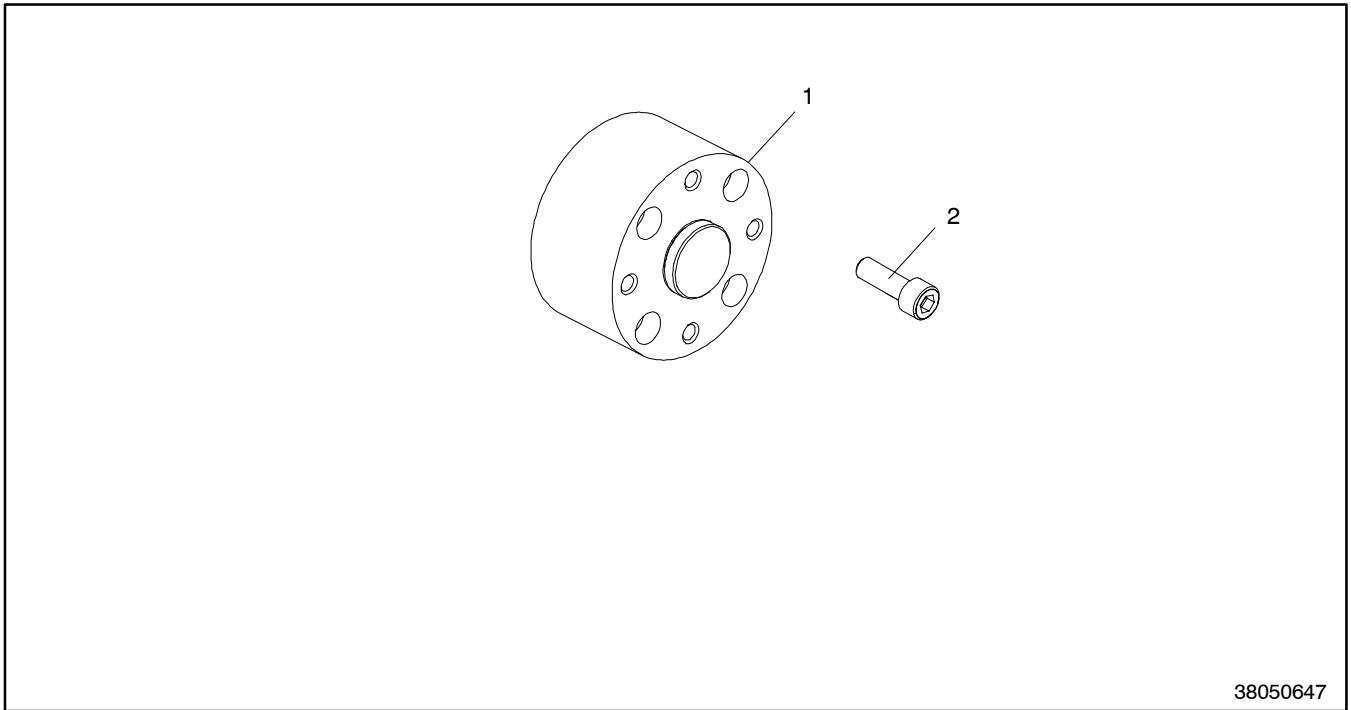
Variation: 38040622



38040622

Item	Part No.	Description	Qty.
1	GM51969	Spacer, fan	1
2	GM51970	Bolt, Fan	4

Variation: 38050647

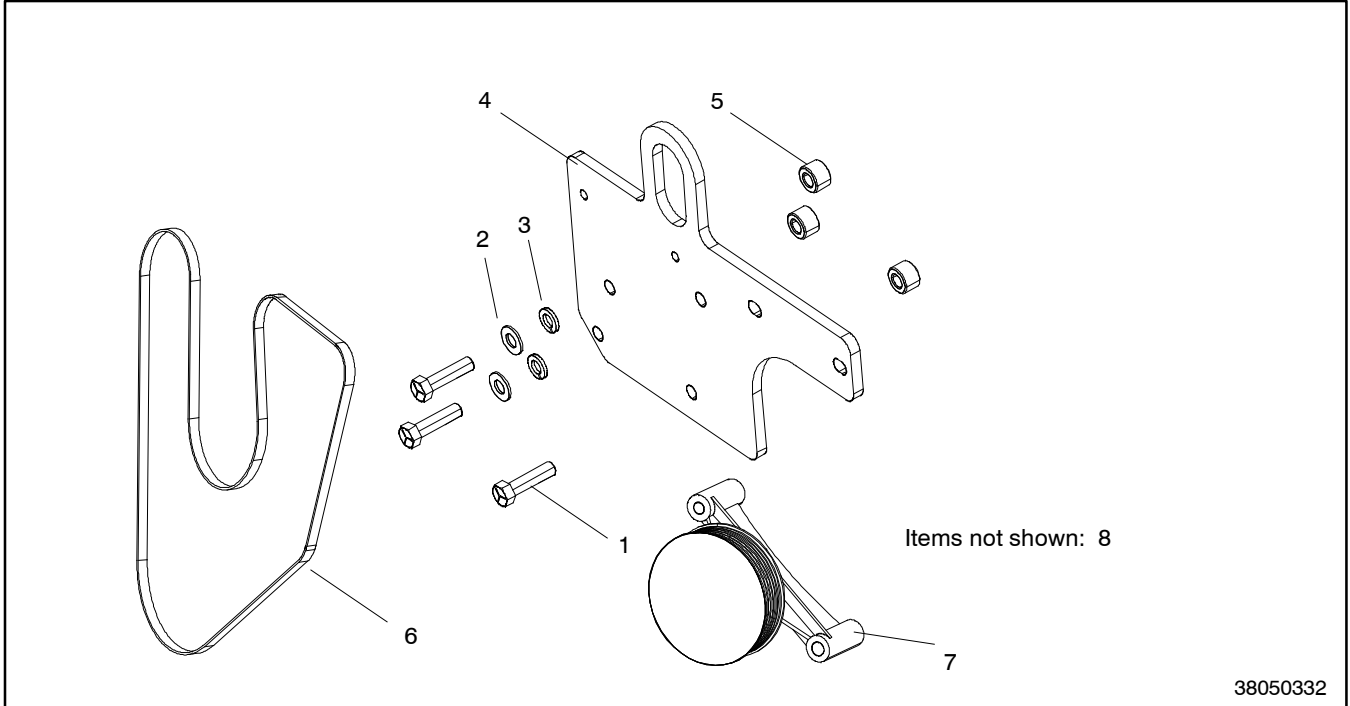


38050647

Item	Part No.	Description	Qty.
1	GM85016	Spacer, fan	1
2	GM85048	Bolt, M8-1.25 x 55 Socket Head	4

1-4: Lifting Eye, Idler, Belt

Variation: 38050332

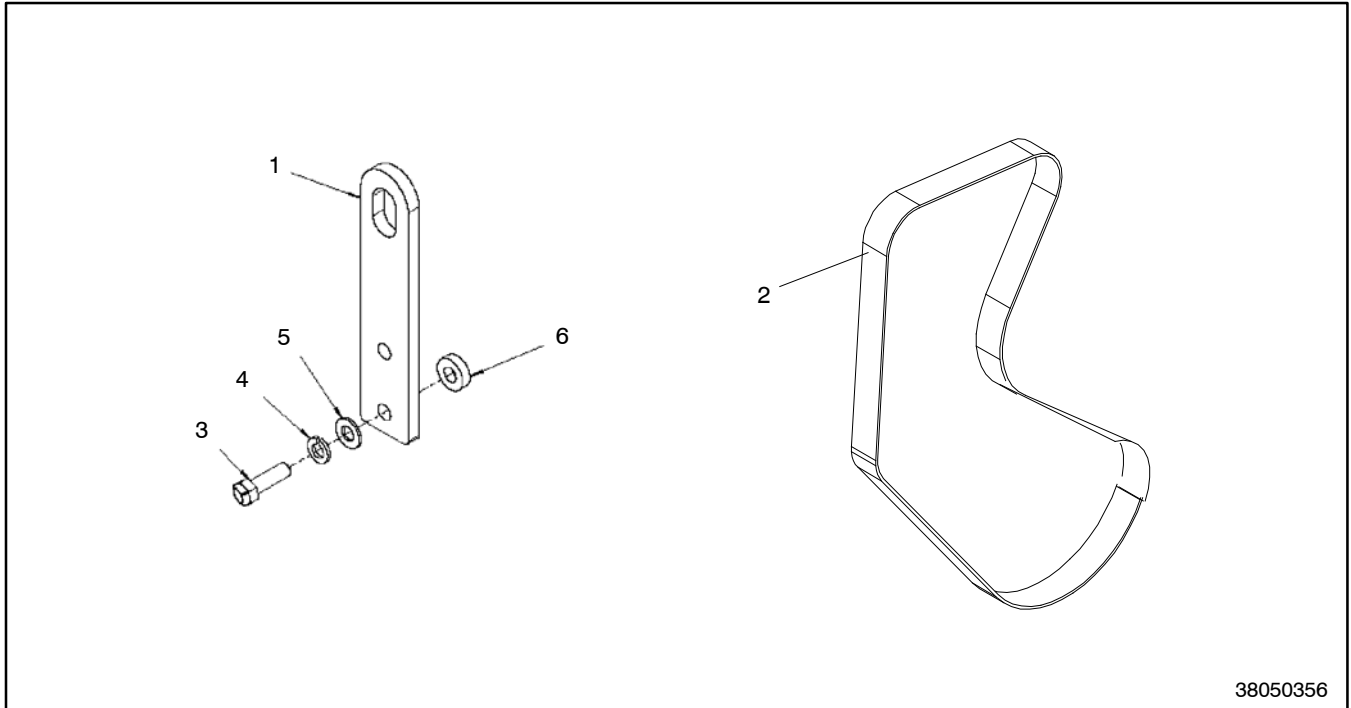


38050332

Item	Part No.	Description	Qty.
1	#	Bolt, 3/8-16 x 1 1/2 HxHd Gr 5	3
2	GM69516	Washer, 3/8	4
3	GM24190	Washer, flat 3/8 SAE	4
4	GM16172	Bracket, exhaust/lifting eye	1
5	GM16173	Spacer, .75 OD x .38 ID x .50	3
6	GM16132	Belt, fan standard	1
7	GM16123	Bracket, pulley	1
8	GM25974	Nut, 3/8-16	1

1-4: Lifting Eye, Idler, Belt

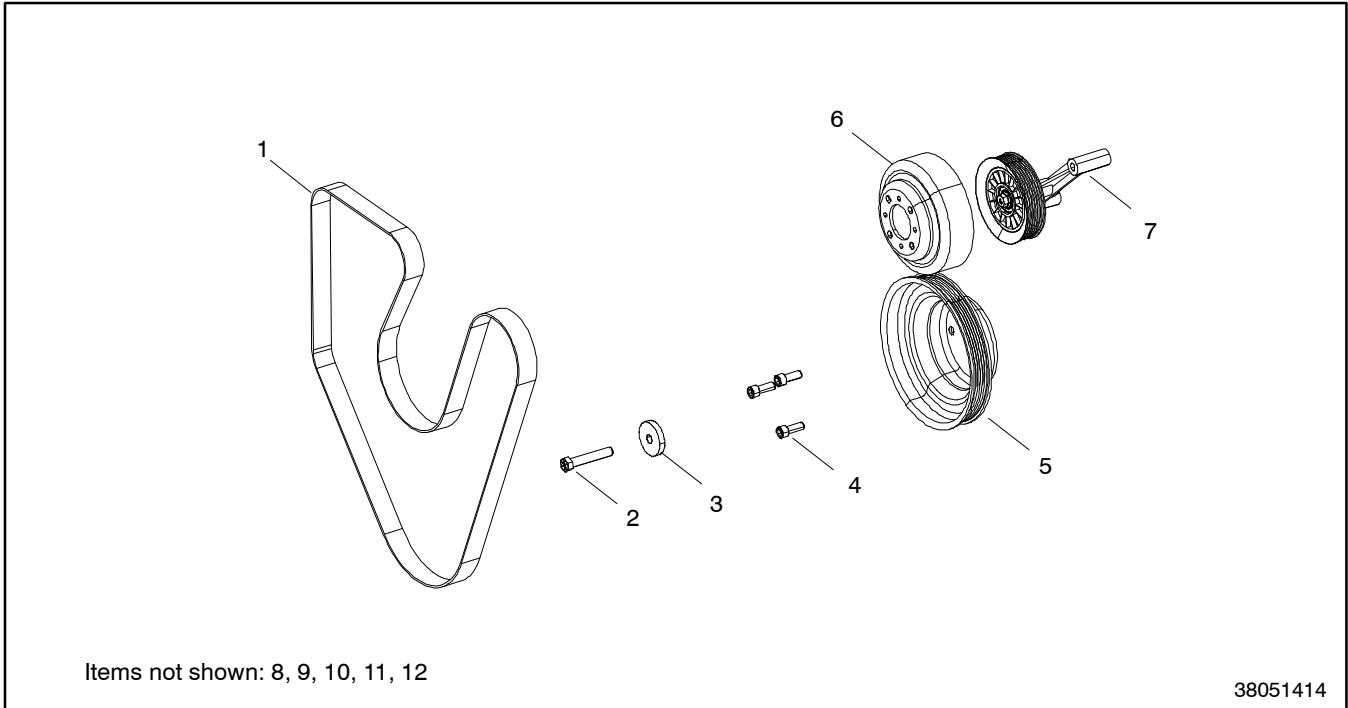
Variation: 38050356



Item	Part No.	Description	Qty.
2	GM85017	Belt, Alt	1
1	GM85013	Lifting Eye, Rear	1
3	#	Bolt	1
4	GM69516	Washer, 3/8	1
5	GM24190	Washer, Flat 3/8 SAE	1
6	GM16225	Washer, Flat 3/8" (Hardened)	1

1-4: Lifting Eye, Idler, Belt

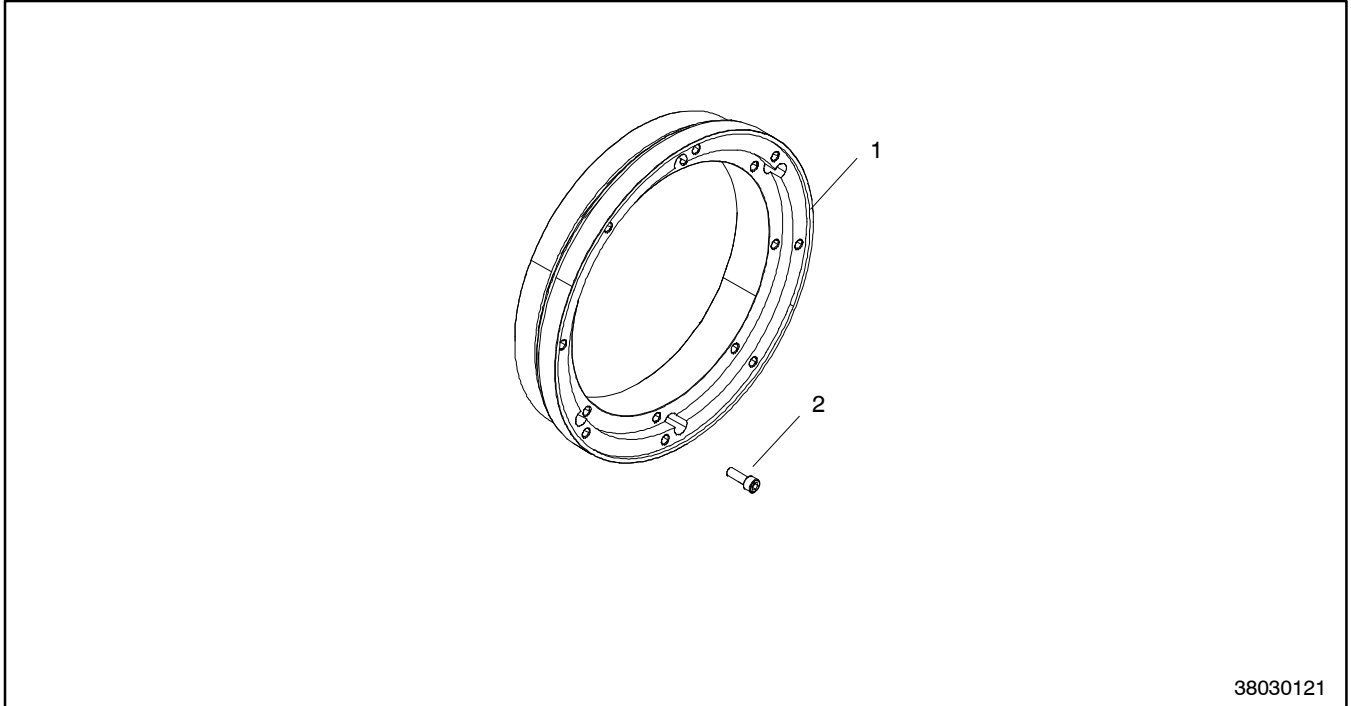
Variation: 38051414



Item	Part No.	Description	Qty.
1	GM85032	Belt, Alt G-Rib .813" x 73.25"	1
2	#	Bolt, 7/16-20 x 2 1/2 Grade 8	1
3	GM16130	Washer, Crank Shaft Pulley	3
4	#	Bolt, 3/8-24 x 1 SktHd Grade 5	1
5	GM16131	Pulley, CrnkSft/FAN	1
6	GM85018	Pulley, Water Pump w/o Lip	1
7	GM16123	Bracket, Pulley	1
8	GM25974	Nut, 3/8-16 Flange Serrated	1
9	#	Bolt, 3/8-16 x 4 1/2 HxHd Gr 5	2
10	GM69516	Washer, Lock 3/8	2
11	GM24190	Washer, Flat 3/8 SAE	2
12	#	Washer, Lock 7/16 External	1

1-5: Flywheel Adapter

Variation: 38030121

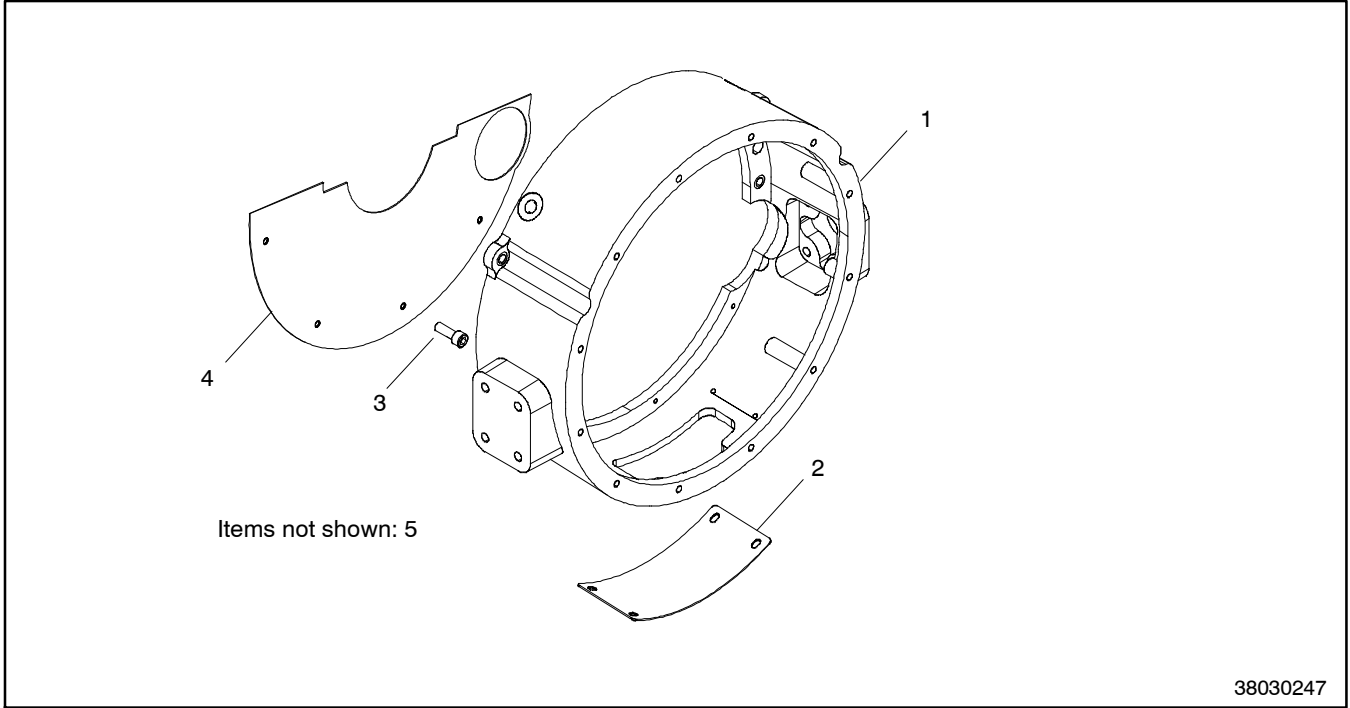


38030121

Item	Part No.	Description	Qty.
1	GM75115	Adapter	1
2	#	Bolt, 3/8-16 x 2 Skt Hd Gr8	4

1-6: Flywheel/Housing

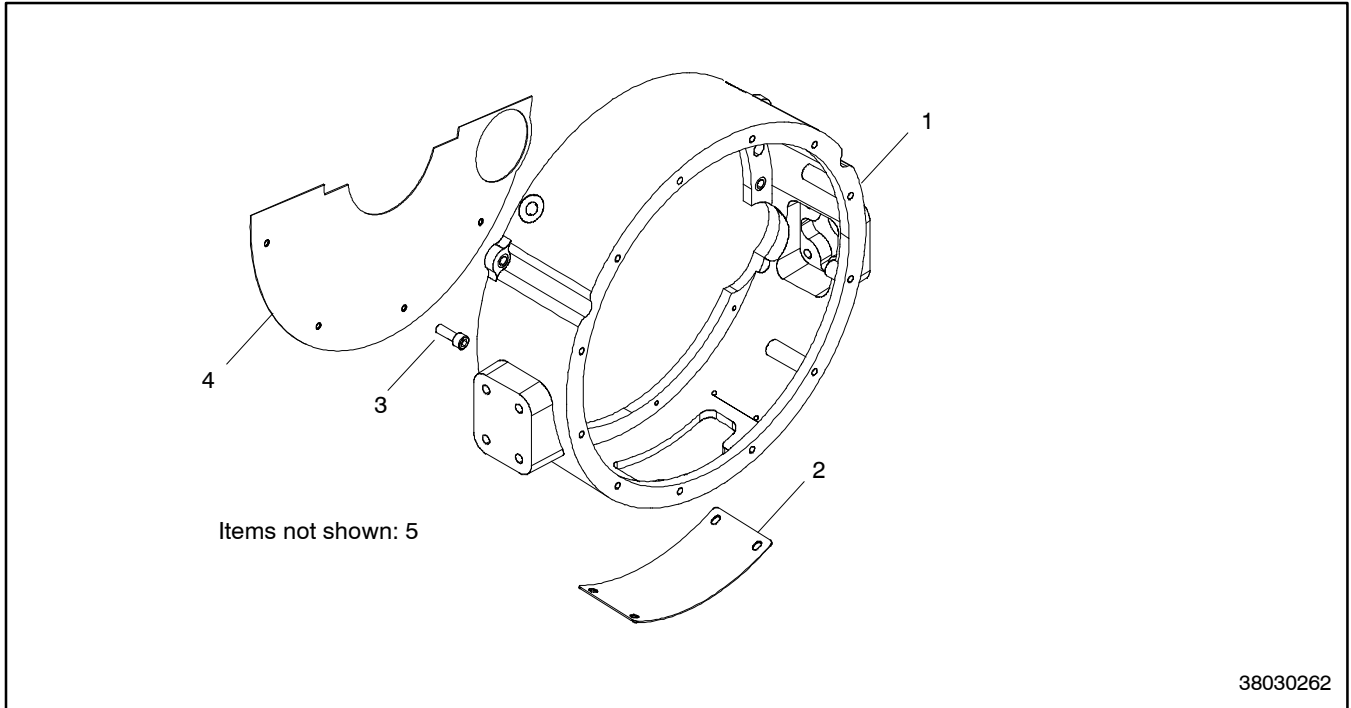
Variation: 38030247



Item	Part No.	Description	Qty.
1	GM75116	Housing, SAE3	1
2	GM75114	Plate, Cover F/W	1
3	GM75196	Bolt, 3/8-16 x 1 1/4 SktHd Gr5	6
4	GM16189	Plate, starter	1
5	#	Bolt, 1/4-20x1/2 Flange Hd Ser	8

1-6: Flywheel/Housing

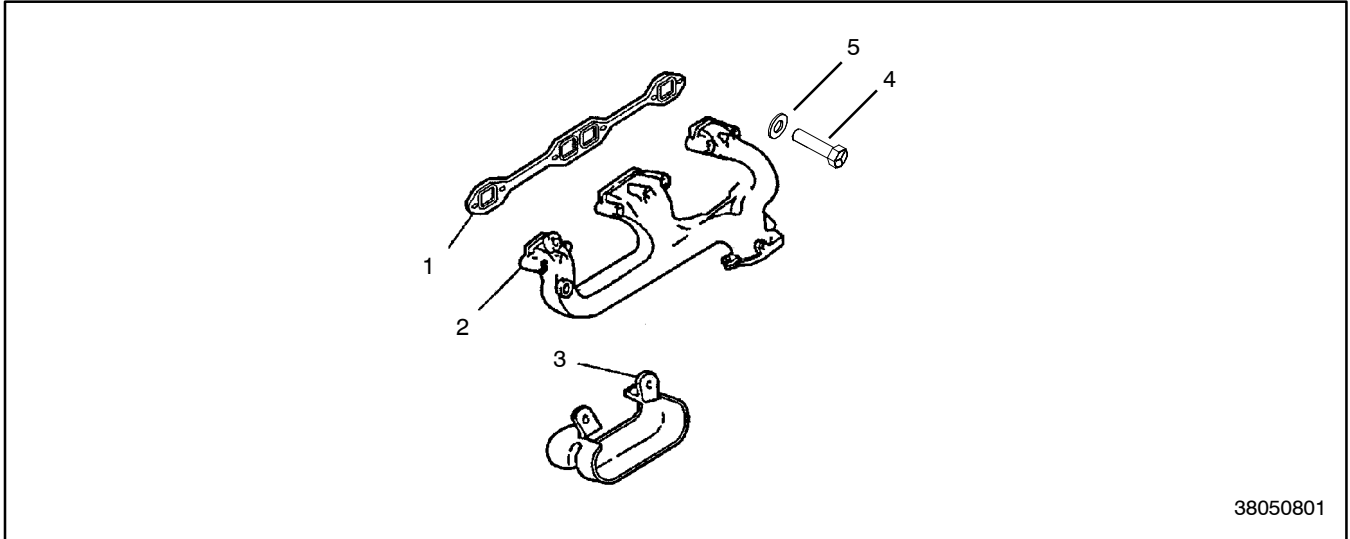
Variation: 38030262



Item	Part No.	Description	Qty.
1	GM75116	Housing, SAE3	1
2	GM75114	Plate, Cover F/W	1
3	GM75196	Bolt, 3/8-16 x 1 1/4 SktHd Gr5	6
4	GM16189	Plate, starter	1
5	#	Bolt, 1/4-20x1/2 Flange Hd Ser	8

1-7: Exhaust Manifold

Variation: 38050801

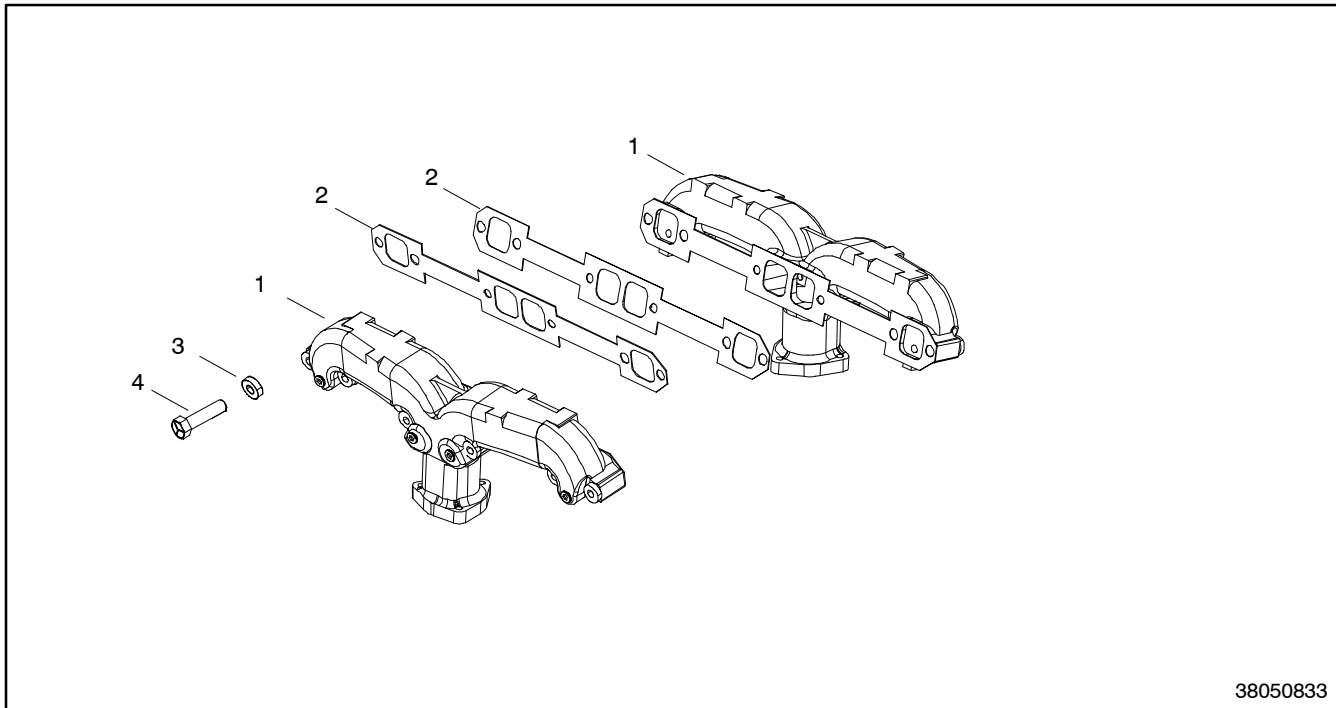


38050801

Item	Part No.	Description	Qty.
1	GM16199	Gasket, manifold exhaust	2
2	GM16216	Manifold, exhaust left side	2
3	GM16218	Shield, heat	4
4	#	Bolt, 3/8-16 X 2 1/4 HxHd Gr 5	12
5	GM16225	Washer, flat 3/8" (hardened)	12

1-7: Exhaust Manifold

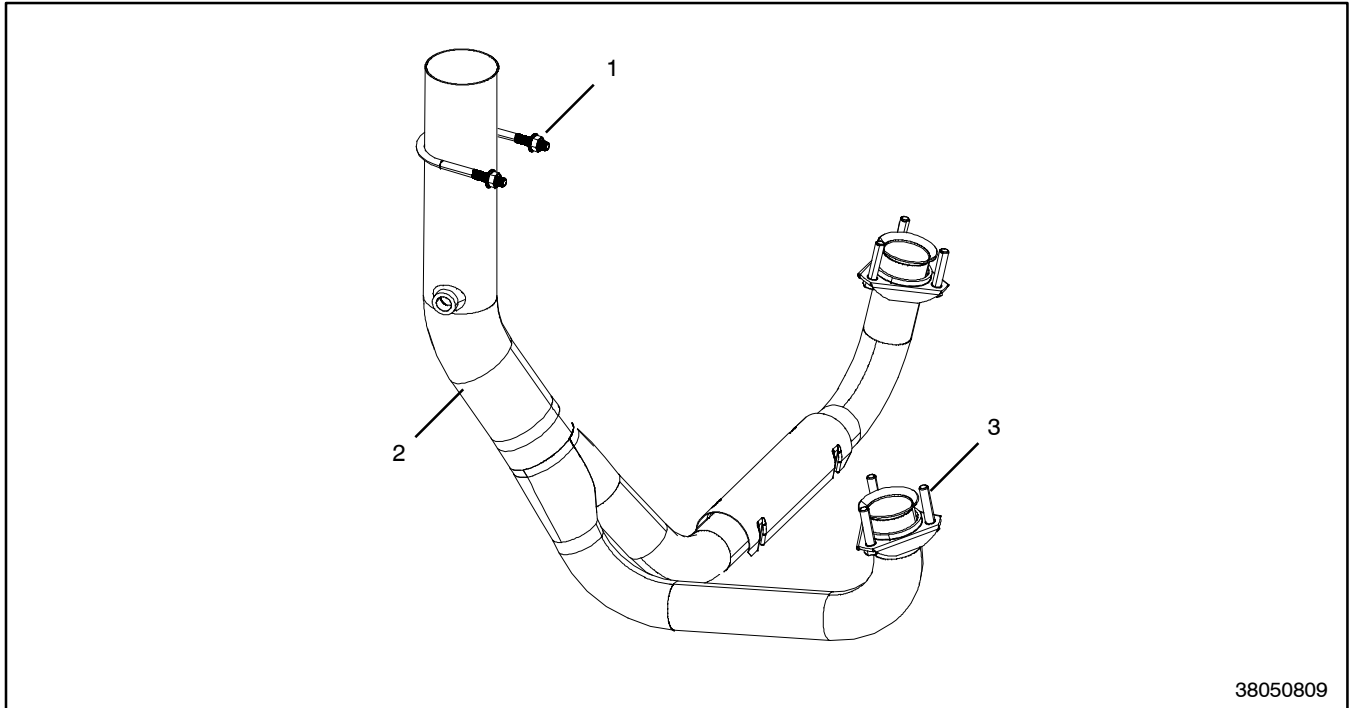
Variation: 38050833



Item	Part No.	Description	Qty.
1	GM85047	Manifold, Exhaust	2
2	GM85034	Gasket Set, Exh Manifold	2
3	GM16225	Washer, flat 3/8" (hardened)	12
4	#	Bolt, 3/8-16 x 2 1/2 HxHd Gr 5	7
4	#	Bolt, 3/8-16 x 3 1/4 HxHd Gr.5	5

1-8: Exhaust Pipe

Variation: 38050809

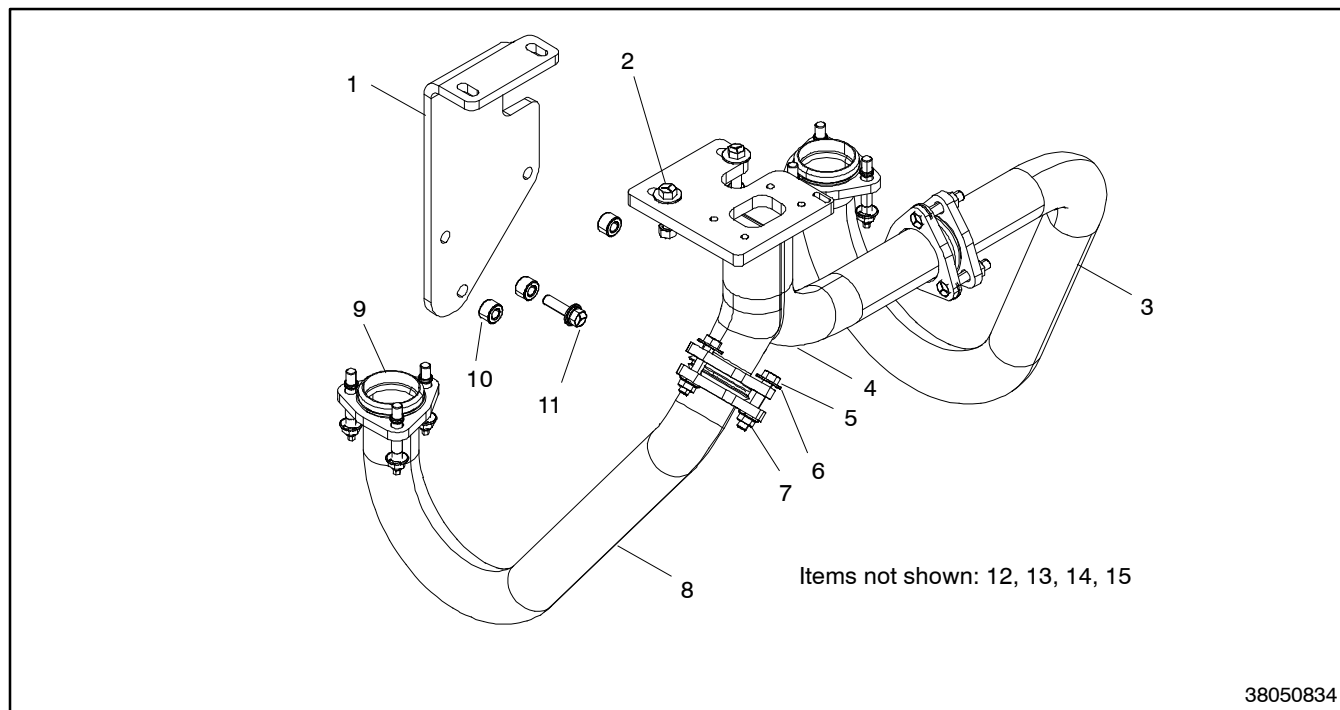


38050809

Item	Part No.	Description	Qty.
1	GM16145	Clamp, muffler 3"	1
2	GM16214	Pipe, Y w/heat shield	1
3	#	Bolt, 3/8-16 x 1 3/4 HxHd Gr5	6

1-8: Exhaust Pipe

Variation: 38050834

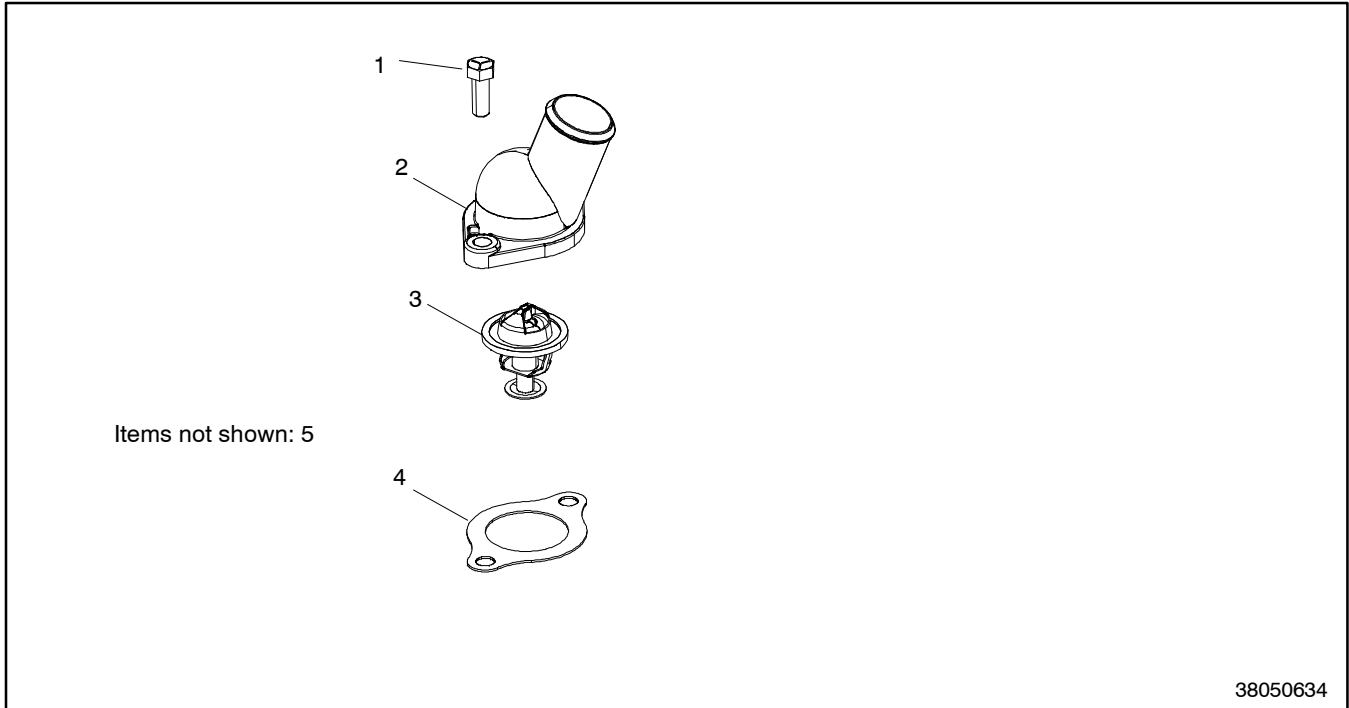


38050834

Item	Part No.	Description	Qty.
1	GM85039	Bracket, Turbo Mounting	1
2	#	Bolt, 3/8-16 x 1 3/4 HxHd Gr5	2
3	GM85037	Pipe, Exhaust Right Side	1
4	GM85042	Pipe, JP Series "Y"	1
5	GM16224	Bolt, 3/8-16 x 2 hex head gr. 5	6
6	GM69514	Washer, 3/8 flat	2
7	GM25974	Nut, 3/8-16	8
8	GM85036	Pipe, Exhaust Left Side	1
9	GM85033	Gasket, Exhaust	4
10	GM16173	Spacer, .75 OD x .38 ID x .50	3
11	#	Bolt, 3/8-16 x 1 1/2 HxHd Gr 5	6
12	GM85015	Clamp, Muffler 2"	2
13	GM85038	Shield, Heat Turbo	1
14	#	Washer, Flat 3/8 Hardened Gr19	12
15	#	Bolt, 3/8-16 X 1 1/2 Flange Hd	3

1-9: Thermostat

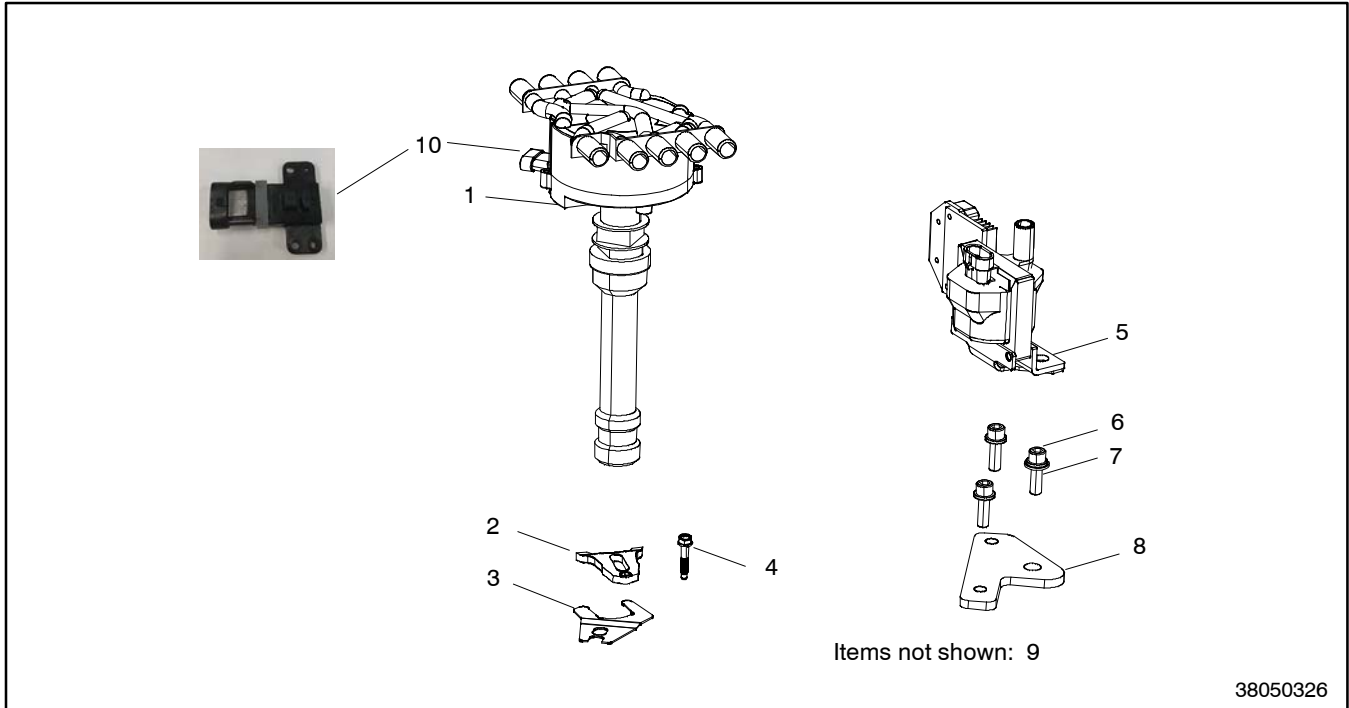
Variation:38050634



Item	Part No.	Description	Qty.
1	#	Bolt, 3/8-16x1 Flange Hd Ser	2
2	GM16120	Cover, thermostat	1
3	GM79585-S	Thermostat, Service Kit (includes gasket)	1
4	GM16536	Gasket, thermostat hsg	1
5	GM75210	Cap, Waterpump	1

1-10: High Voltage Switch (HVS)

Variation: 38050326

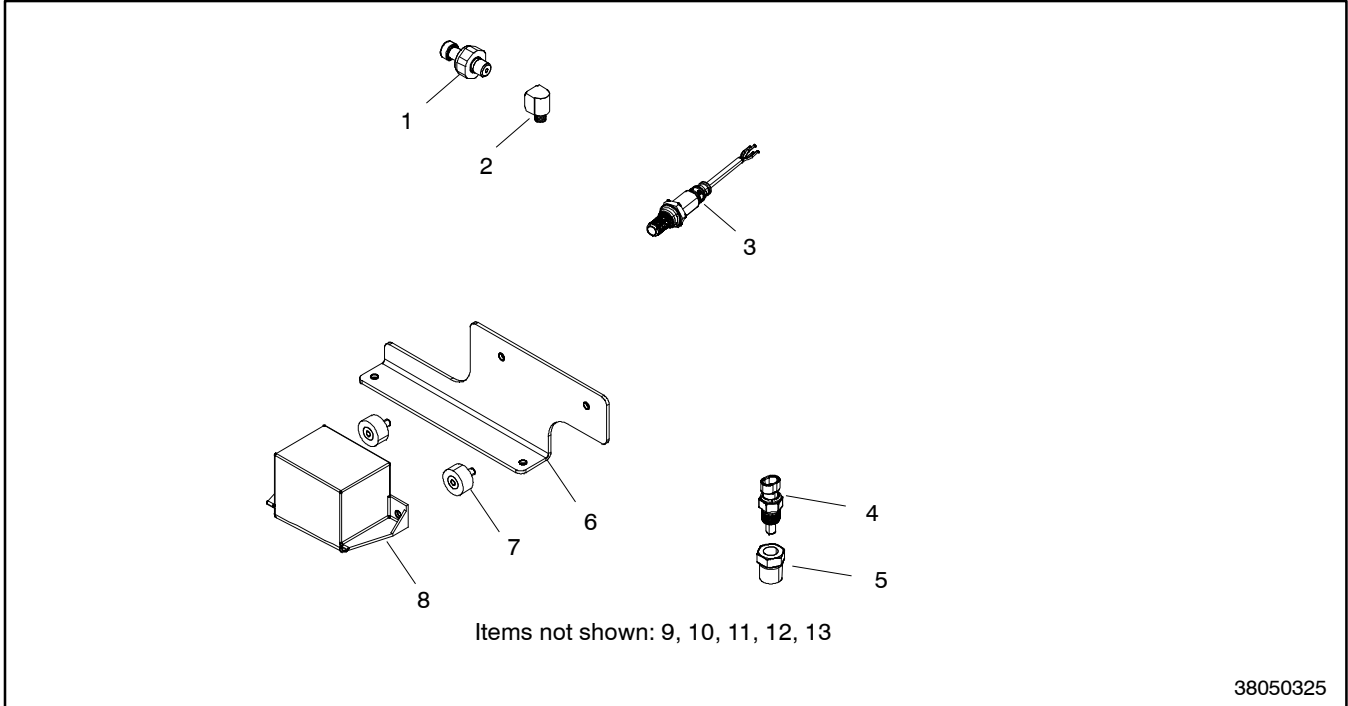


38050326

Item	Part No.	Description	Qty.
1	GM75155	Distributor HVS (includes item 10)	1
2	GM16191	Clamp, distributor	1
3	GM75161	Yoke	1
4	GM16193	Bolt, distributor	1
5	GM75164	Coil, Ignition	1
6	#	Bolt, 5/16-18 x 1 Skt Hd	2
6	GM69517	Bolt, 5/16-18 x 3/4 skt hd, gr. 5	1
7	GM61733	Washer	3
8	GM75170	Bracket, Ignition	1
9	GM75195	Washer, Flat 5/16 SAE	1
10	GM90538	Camshaft Position Sensor (part of item 1)	1

1-11: Electrical

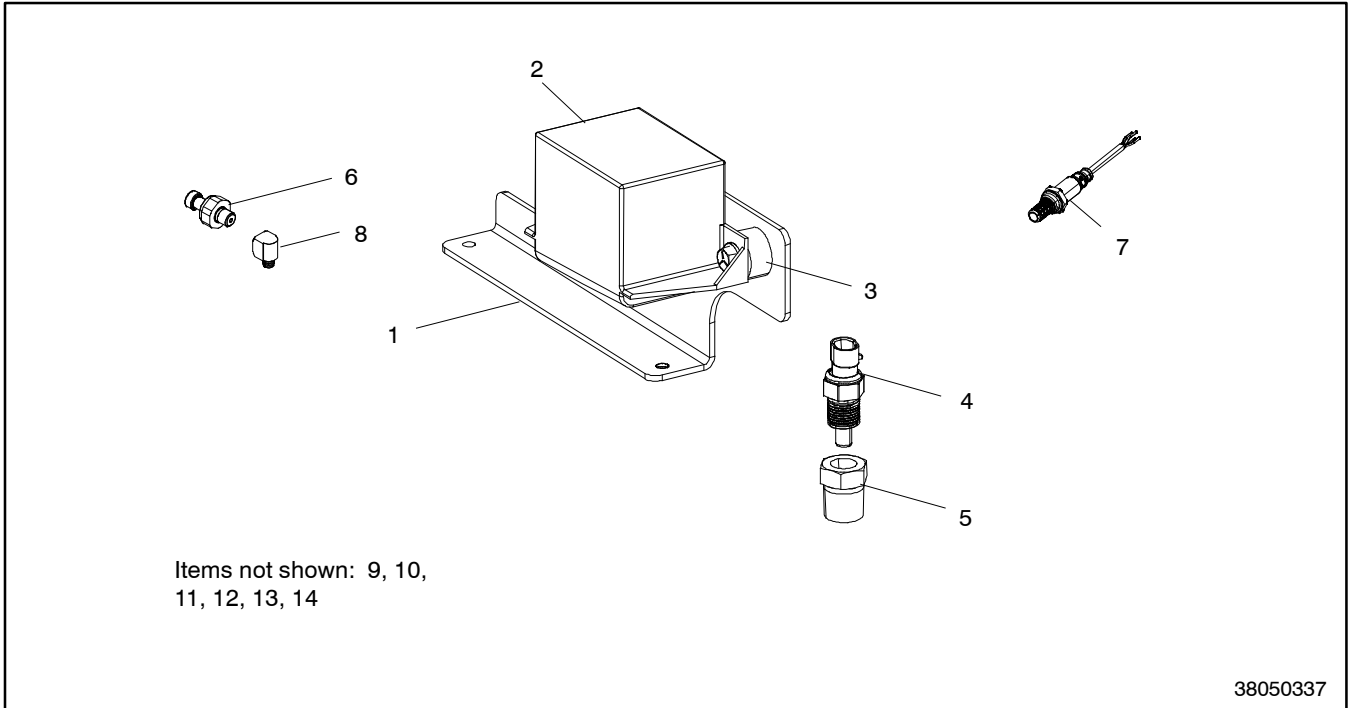
Variation: 38050325



Item	Part No.	Description	Qty.
1	GM72303	Sender, oil pressure	1
2	GM75220	Oil Pressure Fitting	1
3	GM72292	Sensor, O2	1
4	GM39601	Sensor, coolant	1
5	GM24341	Fitting	1
6	GM75172	Bracket, Fuse Block	1
7	GM29604	Isolator, relay box	2
8	GM75139	Harness, Stat., IEPR	1
9	GM75103	Nut, Flange 1/4-20 Serrated	2
10	#	Washer, Star 3/8	1
11	#	Bolt, 3/8-16x3/4 Flange Hd Ser	1
12	#	Bolt, 1/4-20x1/2 Flange Hd Ser	2
13	#	Bolt, 1/4-20x3/8 Flange Hd Ser	2

1-11: Electrical

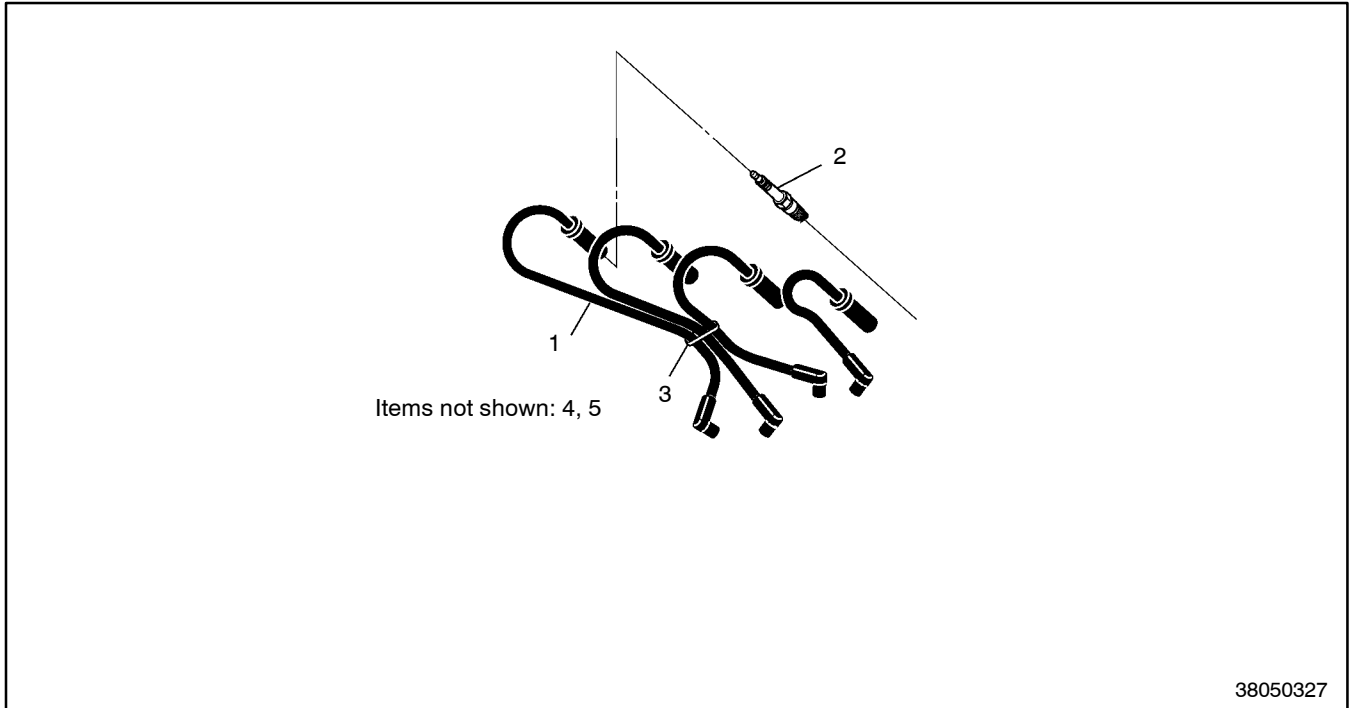
Variation: 38050337



Item	Part No.	Description	Qty.
1	GM75172	Bracket, Fuse Block	1
2	GM75139	Harness, Stationary, iEPR	1
3	GM29604	Isolator, relay box	2
4	GM39601	Sensor, coolant	1
5	GM24341	Fitting	1
6	GM72303	Sender, oil pressure	1
7	GM72292	Sensor, O2	2
		(Non-EPA engine uses qty. 1)	
8	GM85050	Fitting, Oil Pressure	1
9	GM75103	Nut, Flange 1/4-20 Serrated	2
10	#	Clamp, InsIt'd	1
11	#	Washer, Star 3/8	1
12	#	Bolt, 3/8-16x3/4 Flange Hd Ser	2
13	#	Bolt, 1/4-20x1/2 Flange Hd Ser	2
14	#	Bolt, 1/4-20x3/8 Flange Hd Ser	2

1-12: Ignition System

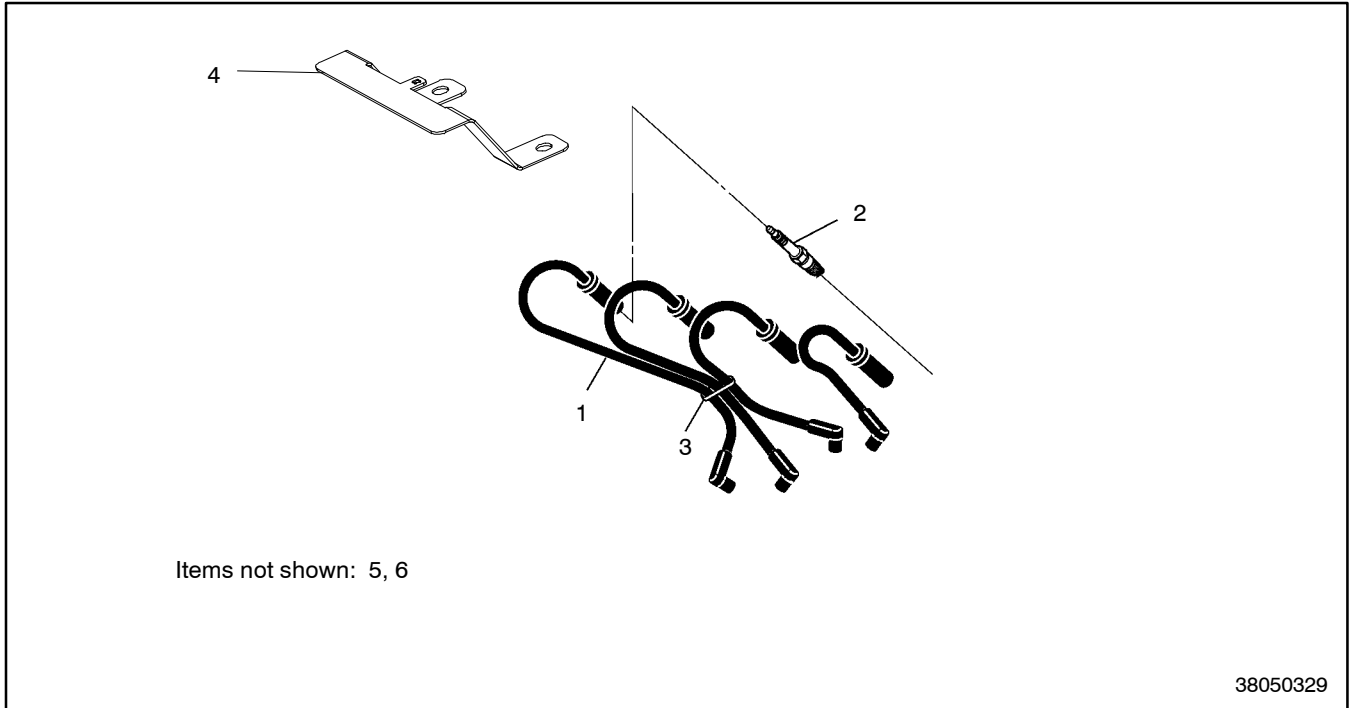
Variation: 38050327



Item	Part No.	Description	Qty.
1	GM75159	Wires, Spark Plug	1
1	GM98515	Wires, Spark Plug 48RCLA/60RCL (metallic shields fitted on the boots)	1
2	GM22171	Spark plug	8
3	GM16185	Retainer, 4 wire spark plug	2
3	GM16186	Retainer, 2 wire spark plug	4
3	GM16195	Retainer, spark plug wire	1
3	GM16196	Retainer, spark plug wire	2
3	GM16197	Retainer, spark plug wire	1
4	GM69592	Loom, 3/8" S (67 in.)	1
5	#	Bolt, 1/4-20x1/2 Flange Hd Ser	3

1-12: Ignition System

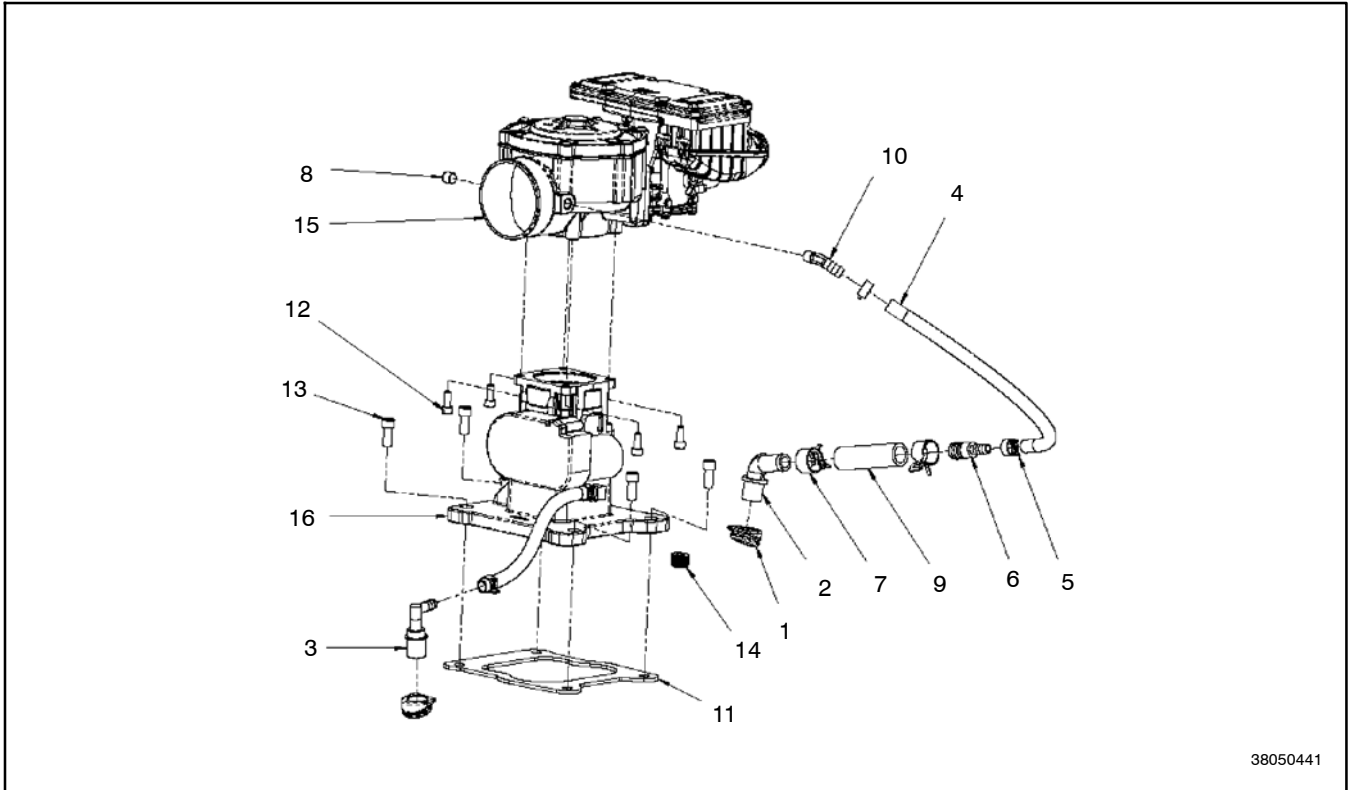
Variation: 38050329



Item	Part No.	Description	Qty.
1	GM85031	Wires, Plug HVS 8MM Hi Temp	1
2	GM22171	Spark plug	8
3	GM16185	Retainer, 4 wire spark plug	2
4	GM85021	Bracket, Cable Support	2
5	GM69592	Loom, 3/8" S (28")	1
6	GM36134	Sleeve, thermo	1

1-13.1: Fuel System

Variation: 38050441 (5.0/5.7L, 60 kW)

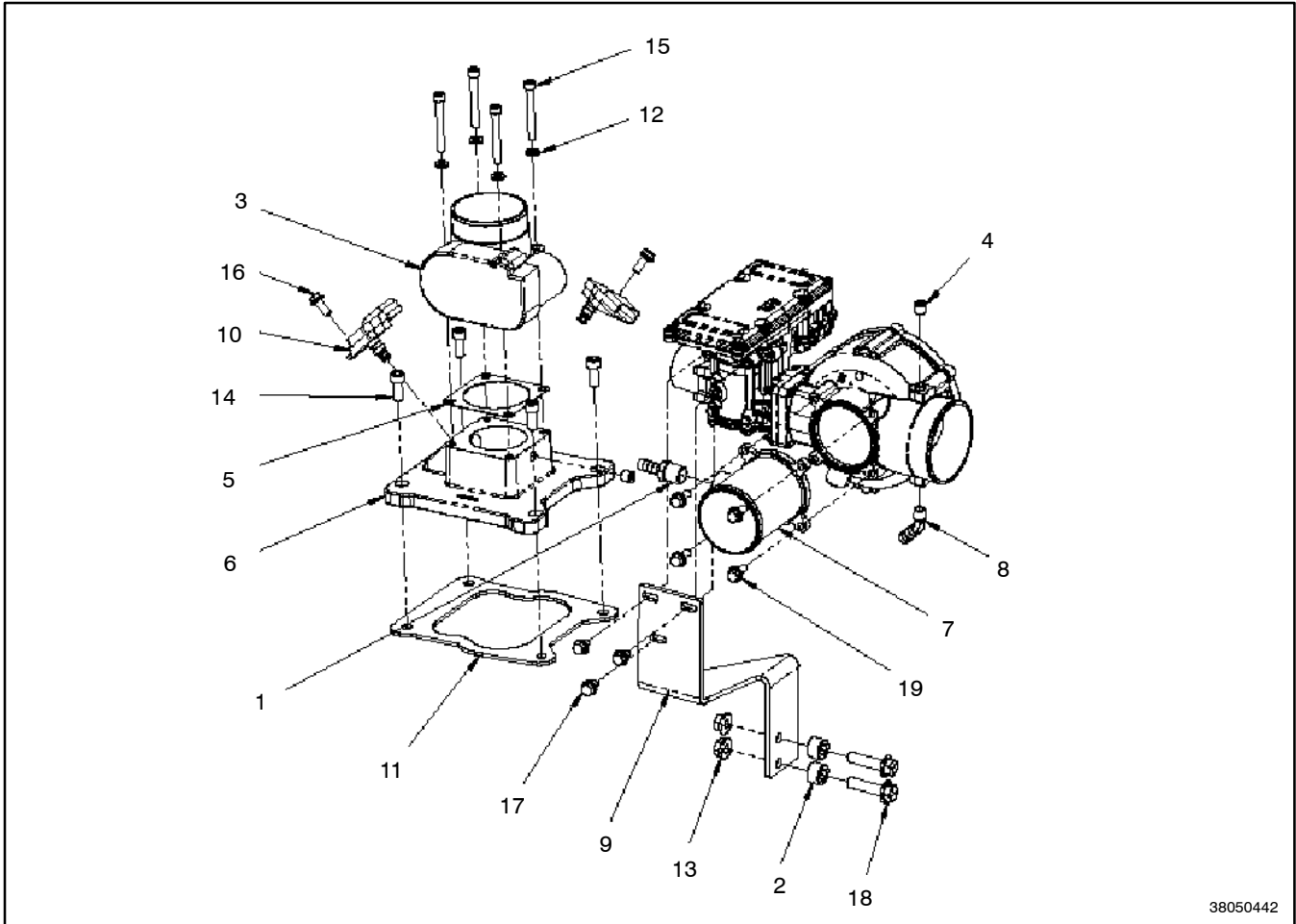


38050441

Item	Part No.	Description	Qty.	Item	Part No.	Description	Qty.
1	GM16143	Grommet, PCV valve	2	8	GM69787	Plug, 1/8 NPT Skt Hd Brass	1
2	GM16157	Elbow, PCV system 5/8" 45 deg.	1	9	GM69492	Tube, 0.625 ID x 3 in.	1
3	GM16159	Valve, PCV	1	10	GM75148	Ftg, 1/8NPT x 3/8Hs 45 deg.	1
4	GM42579	Hose, fuel 3/8 in. 14.5 in.	1	11	GM16202	Gasket, intake manifold	1
5	GM69488	Clamp, hose 3/8 (spring type)	2	12	GM69513	Bolt, M6 x 1.0 x 15 skt hd, gr. 8.8	4
6	GM69490	Adapter, barb 5/8 to 3/8 nylon	1	13	GM69517	Bolt, 5/16-18 x 3/4 skt hd, gr. 5	4
7	GM75131	Clamp, Hose 7/8"Od	2	14	GM72314	Plug, pipe 3/8 in. int. Manifold	1

1-13.1: Fuel System

Variation: 38050442 (5.7L 80/100 kW)

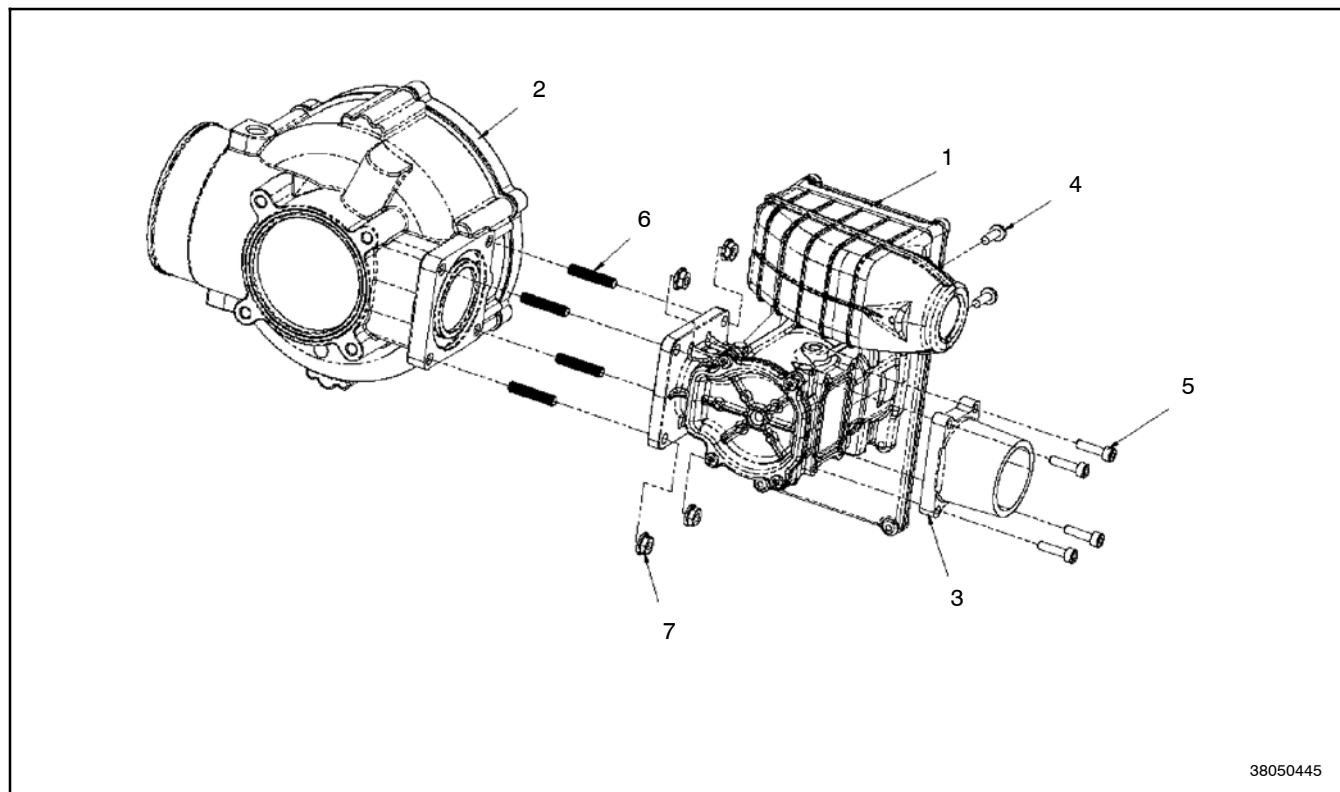


38050442

Item	Part No.	Description	Qty.	Item	Part No.	Description	Qty.
1	GM85011	Fitting, 3/8NPT x 3/8 HoseBarb	1	11	GM85046	Gasket, Int Man 5.7 High Temp	1
2	GM16173	Spacer, .75 OD x .38 ID x .50	2	12	GM24188	Washer, lock 1/4 in.	4
3	GM29586	Valve, throttle, 60 mm	1	13	GM25974	Nut, 3/8-16	2
4	GM69787	Plug	2	14	GM69517	Bolt, 5/16-18 x 3/4 skt hd, gr. 5	4
5	GM60238	Gasket, Man Adapter Venturi	1	15	GM47684	Bolt, 1/4-20 x 2 in. skt. Hd. Gr. 8	4
6	GM69505	Adapter, intake to TB	1	16	#	Bolt 1/4-20x5/8 Flange Hd Ser	2
7	GM85022	Adapter, E330 Mixer	1	17	#	Bolt, M6-1.0x10 Flange Hd Ser	3
8	GM75148	Ftg, 1/8NPT X 3/8Hs 45 Deg.	1	18	#	Bolt, 3/8-16 x 1 1/2 Flange Hd	2
9	GM85024	Bracket, EPR	1	19	#	Bolt, M6-1.0 x 16 Flange Head	4
10	GM72302	Sensor, T map 3-bar	2				

1-13.2: Fuel System, EPR/Mixer

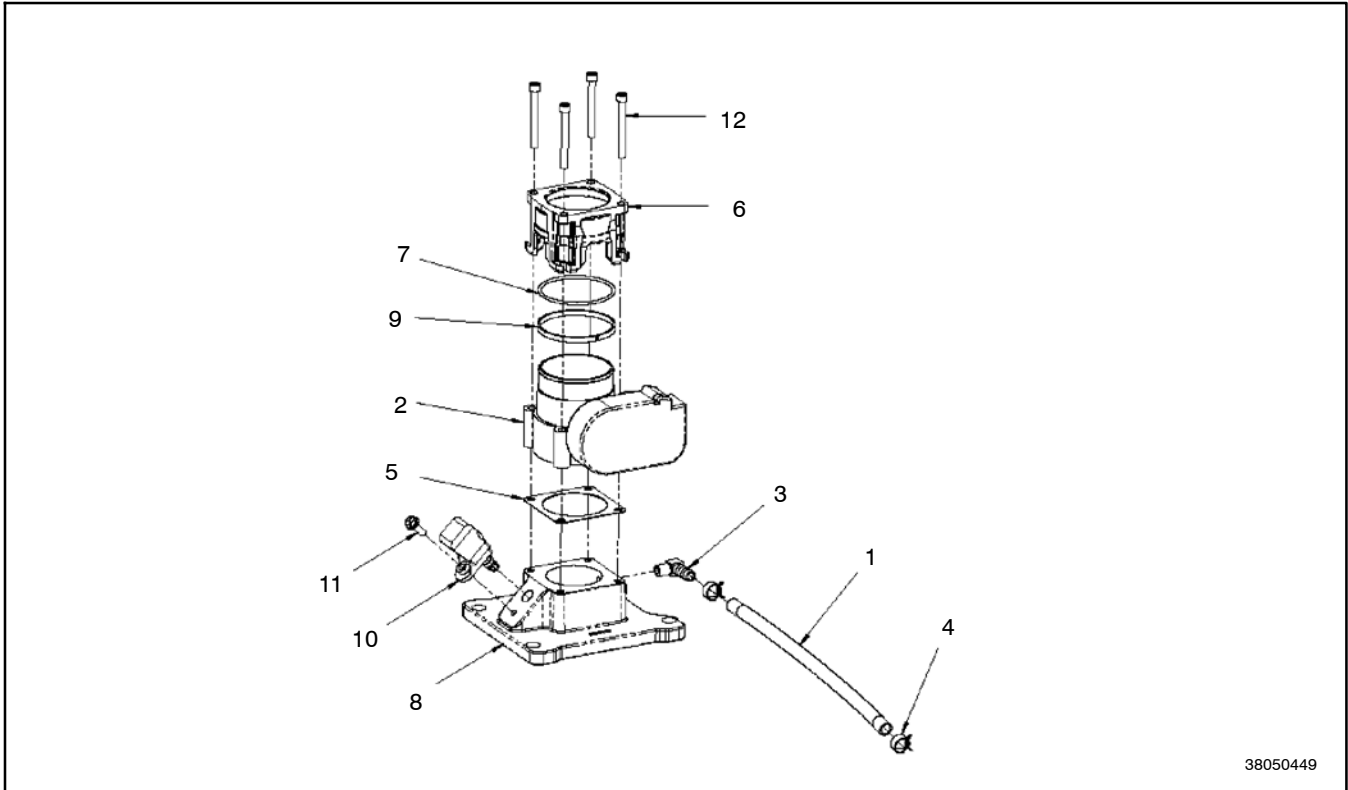
Variation: 38050445



Item	Part No.	Description	Qty.	Item	Part No.	Description	Qty.
1	GM69494	EPR assembly (5.0 L)	1	1	TBD	EPR assy (5.7 L, Non-EPA 80 kW)	1
1	GM72585	EPR assembly (5.0 L, dual fuel)	1	1	TBD	EPR assembly (5.7 L, Non-EPA 100 kW)	1
1	GM75212	EPR assembly (5.7 L, 60 kW)	1	2	GM69500	Mixer	1
1	GM101401	EPR assembly (48RCL)	1	3	GM69509	Adapter, EPR, 1 1/4 NPT	1
1	GM93491	EPR assembly (48RCLA/60RCL)	1	4	GM75151	Screw, Tabulated M4 X 12	2
1	GM72586	EPR assy (5.7L, 60, kW dual fuel)	1	5	GM69524	Bolt, M4 x .70 x 16 skt hd	4
1	GM85009	EPR assembly (5.7 L, 80 kW)	1	6	GM72323	Stud, M5-.80 x 25	4
1	GM85010	EPR assembly (5.7 L, 100 kW)	1	7	GM72324	Nut, M5-.80 flange	4

1-13.3: Fuel System, Throttle Body

Variation: 38050449

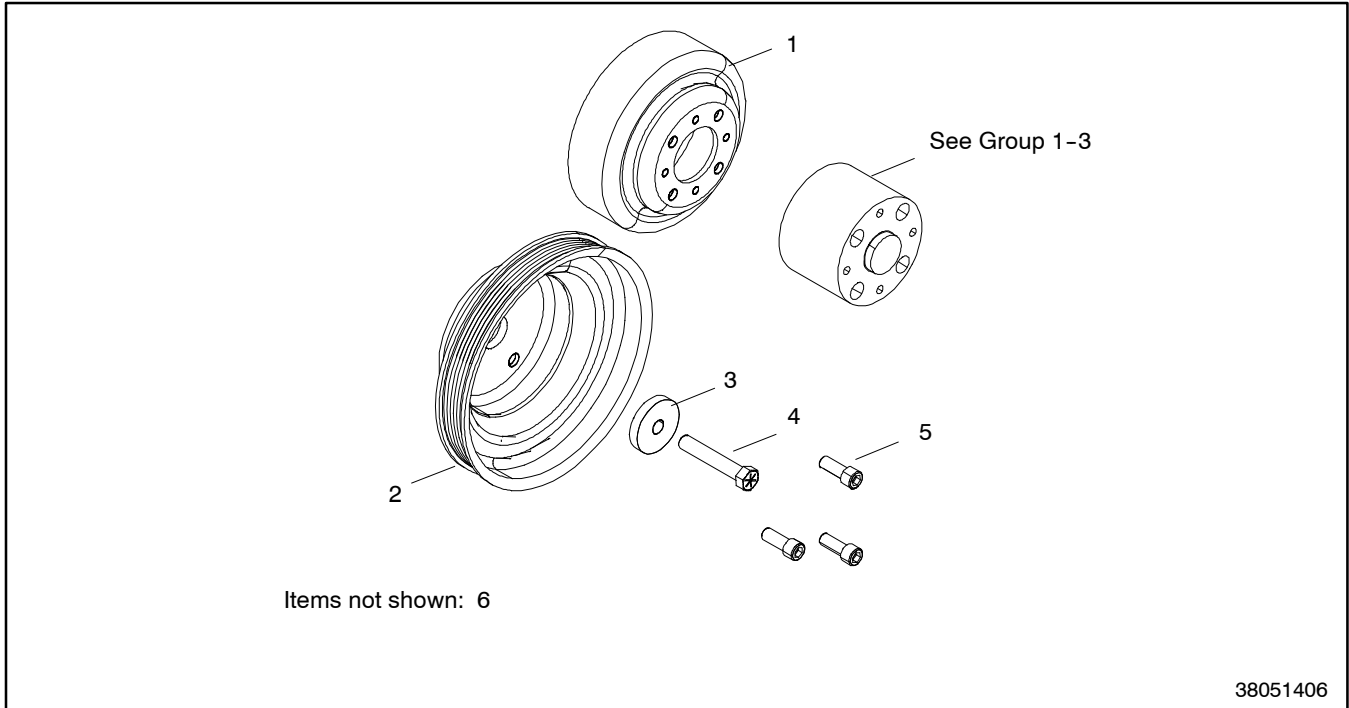


38050449

Item	Part No.	Description	Qty.	Item	Part No.	Description	Qty.
1	GM42579	Hose, fuel 3/8 in. x 10.5 in.	1	7	GM69504	O-ring	1
2	GM29586	Valve, throttle, 60 mm	1	8	GM69505	Adapter, intake to TB	1
3	GM69487	Fitting, 1/8 NPT x 3/8 90 deg. Elbow nylon	1	9	GM75150	Spacer	1
4	GM69488	Clamp, hose 3/8 (spring type)	2	10	GM39227	Sensor, 1 bar TMAP	1
5	GM60238	Gasket, Man Adapter Venturi	1	11	#	Bolt 1/4-20x5/8 Flange Hd Ser	1
6	GM69498	Throttle adapter	1	12	#	Bolt, 1/4-20 x2 1/4 Skt Hd Gr8	4

1-14: Pulley Assembly

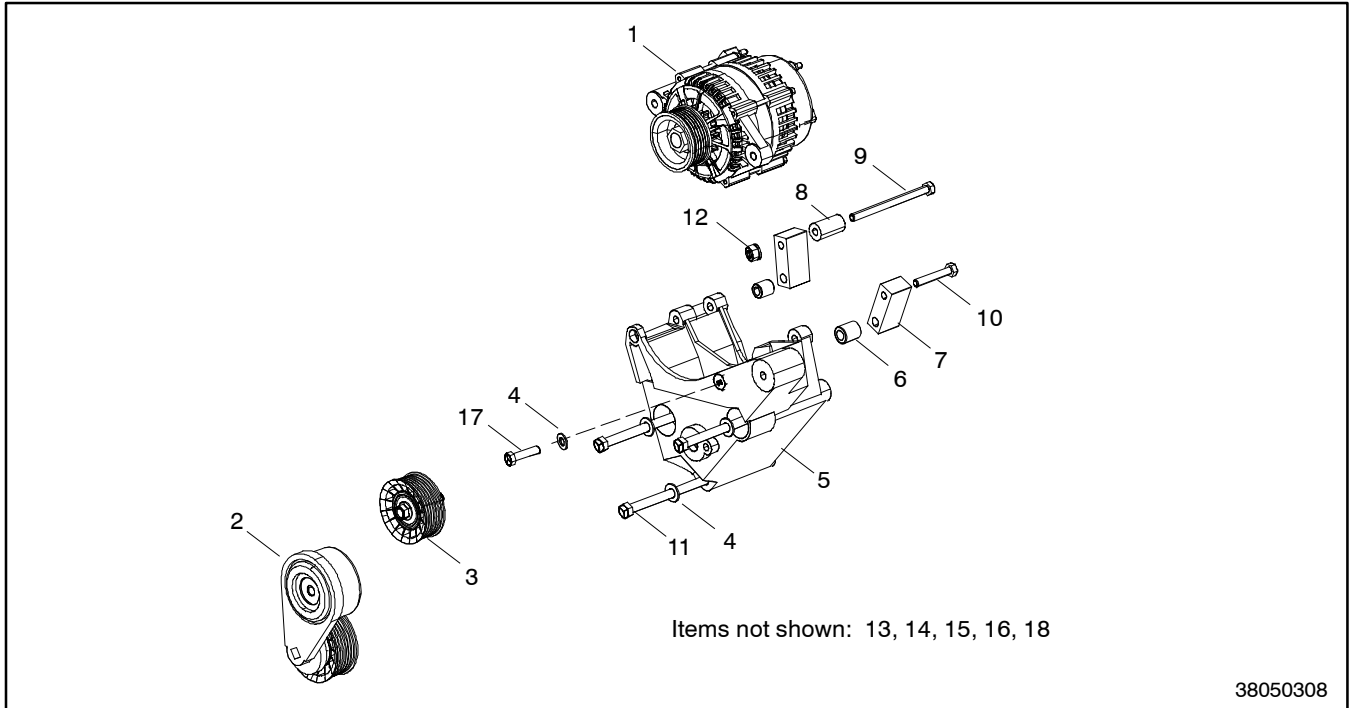
Variation: 38051406



Item	Part No.	Description	Qty.
1	GM16127	Pulley, fan	1
2	GM16131	Pulley, crankshaft/fan	1
3	GM16130	Washer, crankshaft pulley	1
4	#	Bolt, (CS) 7/16-20 x 2 1/2 Gr8	1
5	#	Bolt, 3/8-24 x 1 SktHd Grade 5	3
6	GM72321	Bolt, M8-1.25 x 20 flange head	4

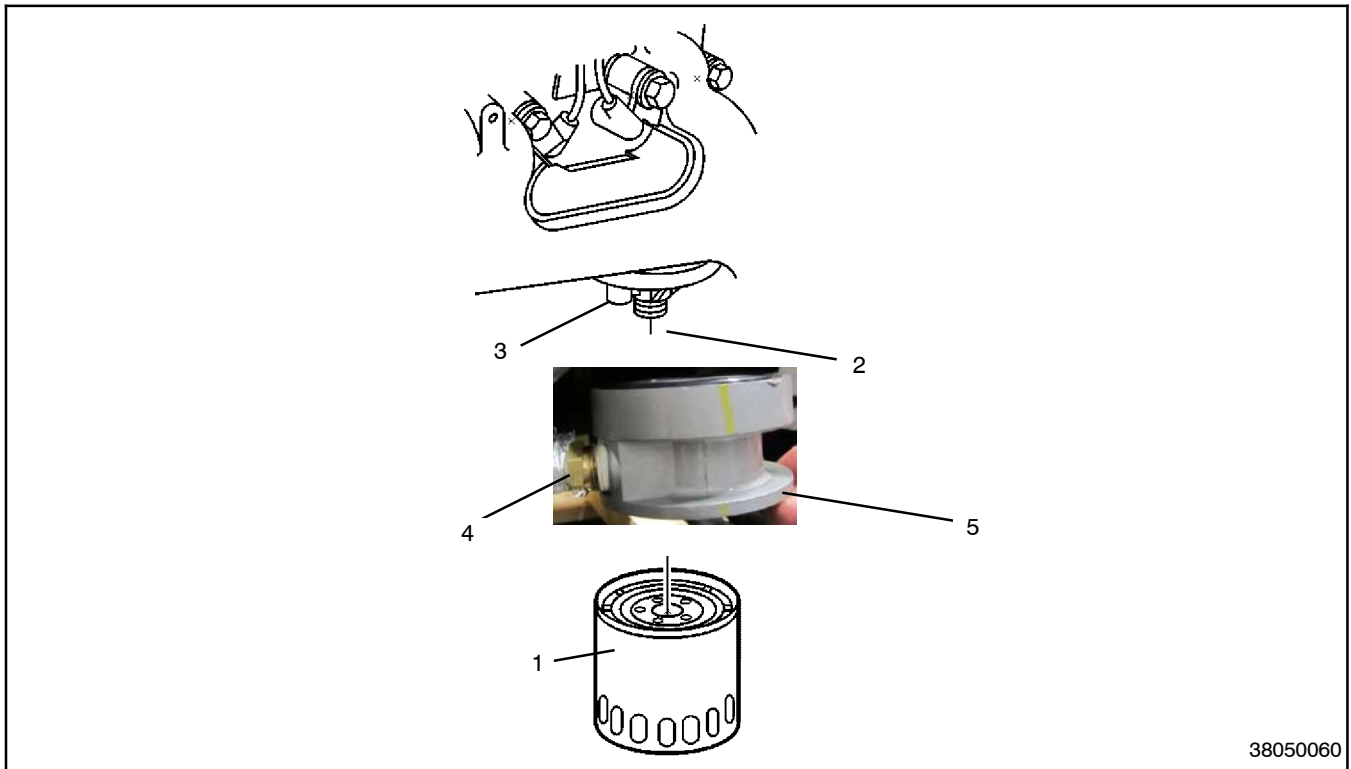
1-15: Alternator

Variation: 38050308



Item	Part No.	Description	Qty.	Item	Part No.	Description	Qty.
1	GM16180	Alternator, 70 amp	1	10	#	Bolt, M8-1.25 x 50 HxHd Gr 8.8	1
2	GM16126	Pulley, tensioner	1	11	#	Bolt, 3/8-16 x 4 1/2 HxHd Gr 5	3
3	GM16121	Pulley, idler	1	12	GM72312	Nut, M8-1.25 flange serrated	1
4	GM24190	Washer, flat 3/8 SAE	4	13	GM61733	Washer	1
5	GM16122	Bracket, alternator	1	14	#	Bolt, M10-1.50 x 90 HxHd Gr8.8	2
6	GM16181	Spacer, mount, 10 mm	2	15	GM72313	Washer, lock M10	1
7	GM16183	Block, mount	2	16	GM69516	Washer, 3/8	3
8	GM16182	Spacer, mount, 8 mm	1	17	#	Bolt, M10-1.50 x 85 HxHd Gr8.8	1
9	#	Bolt, M8-1.25 x 110 HxHd Gr8.8	1	18	GM28959	Nut, M6-1.0	1

1-18: Oil Filter/Adapter



38050060

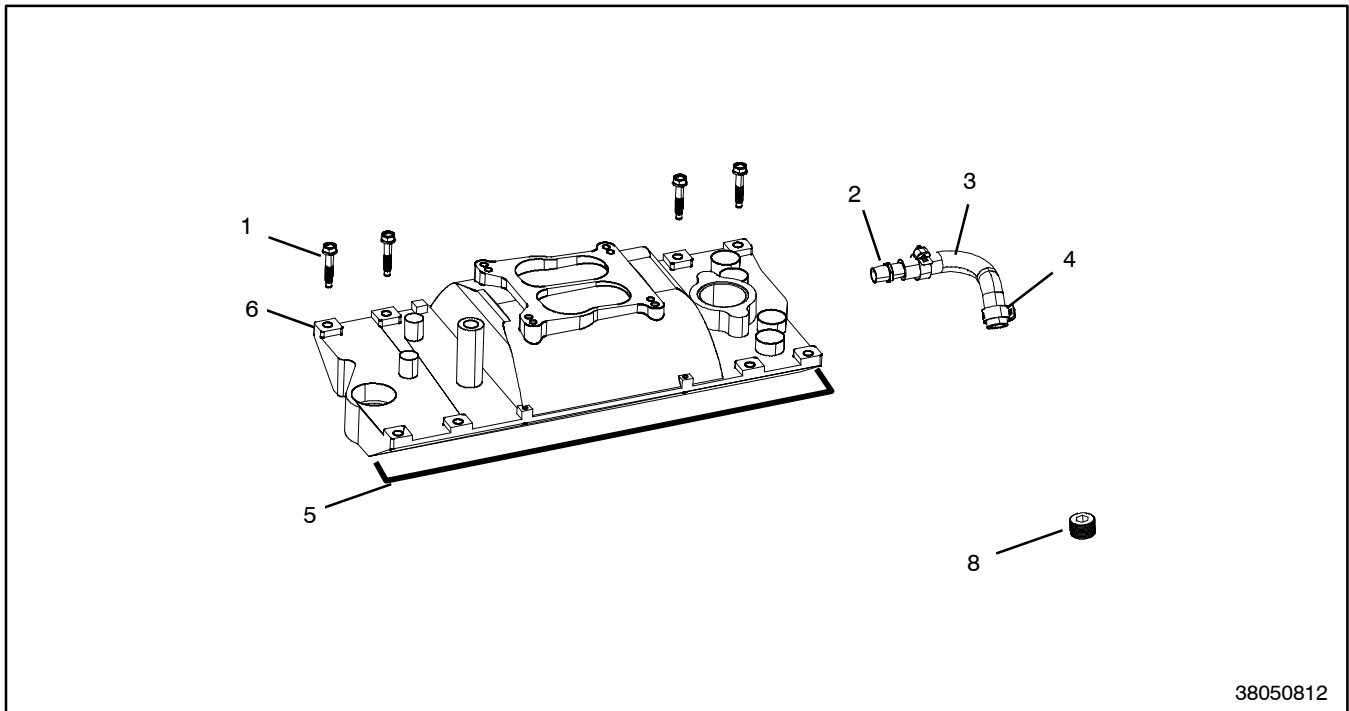
Variation: 38050060

Item	Part No.	Description	Qty.
1	GM16703	Filter, oil	1
2	GM16141	Adapter, oil filter	1
3	GM16142	Bolt, oil filter adapter	2

Variation: 38050064

Item	Part No.	Description	Qty.
1	GM42034	Filter, oil	1
2	GM16141	Adapter, oil filter	1
3	GM16142	Bolt, oil filter adapter	2
Oil Cooler Hardware			
4	GM60248	Bushing, 1/2 MPT x 3/8 FPT	2
5	GM85029	Adapter, Oil Filter 1/2" Port	1

1-19: Intake Manifold



38050812

Variation: 38050812

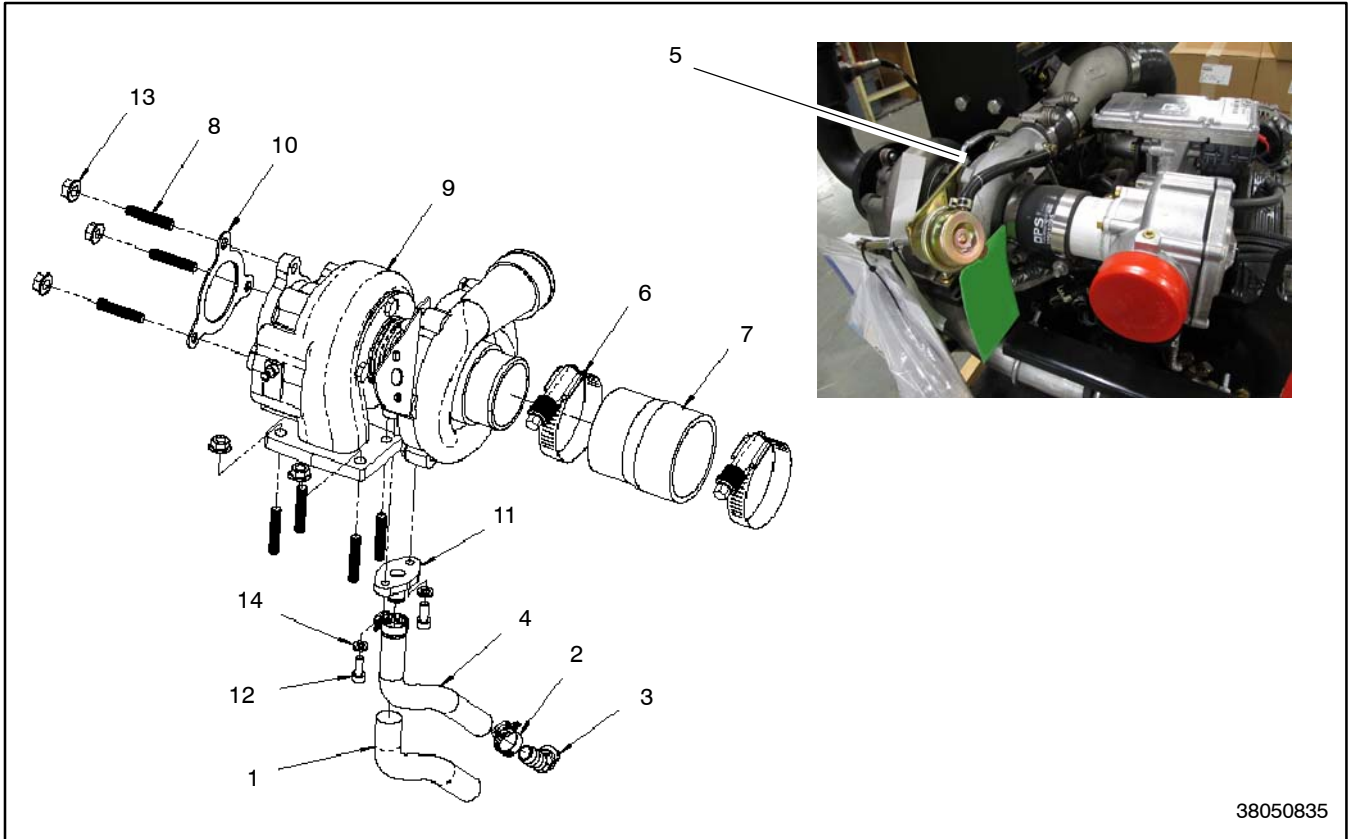
Item	Part No.	Description	Qty.
1	GM16134	Bolt, intake manifold	8
2	GM24340	Fitting	1
3	GM75133	Hose, WP to Int Man	1
4	GM16144	Clamp, hose 1"	2
5	GM16133	Gasket, intake manifold	1
6	GM29842	Manifold, intake (cast)	1
8	#	Plug, 1/2" NPT, Steel	4

Variation: 38050843

Item	Part No.	Description	Qty.
1	GM16134	Bolt, intake manifold	8
2	GM24340	Fitting	1
3	GM75133	Hose, WP to Int Man	1
4	GM16144	Clamp, Hose 1 in.	2
5	GM16133	Gasket, intake manifold	1
6	GM85049	Manifold, intake	1
8	#	Plug, 1/2" NPT, Steel	3

1-20.1: Turbocharger

Variation: 38050835

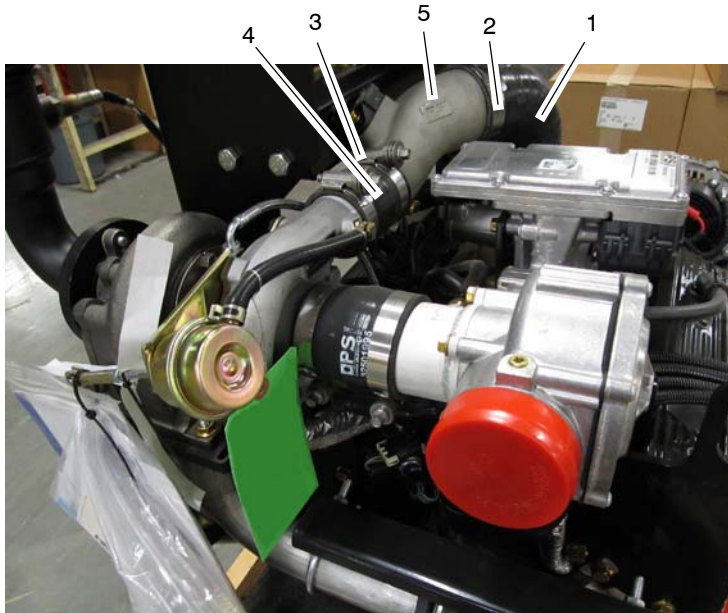


38050835

Item	Part No.	Description	Qty.
1	GM36134	Sleeve, thermo (12 in.)	1
2	GM42578	Clamp, 1/2 in. (M-6)	2
3	GM85019	Fitting, 3/8MPTx1/2HB 45 Brass	1
4	GM85020	Hose, High Temp 1/2" ID (12 in.)	1
5	GM85023	Hose, Oil Supply Asm	1
6	GM85025	Clamp, Const Trq 2 1/4-3 1/8	2
7	GM85027	Hose Reducer 2.50/2.36 Sil	1
8	GM85040	Stud, M8-1.25x40	7
9	GM85041	Turbocharger	1
10	GM85043	Gasket, Exhaust Pipe	1
11	GM85045	Fitting, 1/2" Oil Drain	1
12	GM69513	Bolt, M6 x 1.0 x 15 skt hd, gr. 8.8	2
13	GM72312	Nut, M8-1.25 flange serrated	7
14	#	Washer, M6 Flat	2

1-20.2: Turbocharger Hardware

Variation: 38050849



38050849

Item	Part No.	Description	Qty.
1	GM74361	Silicone hose	1
2	GM29601	Clamp, 2 3/4-3 5/8 in.	2
3	GM29603	Clamp, 1 9/16-2 1/2 in.	2
4	GM85026	Hose 2.0" ID x 3.0" Silicone	1
5	GM85044	Tube, Air Intake 80KW	1

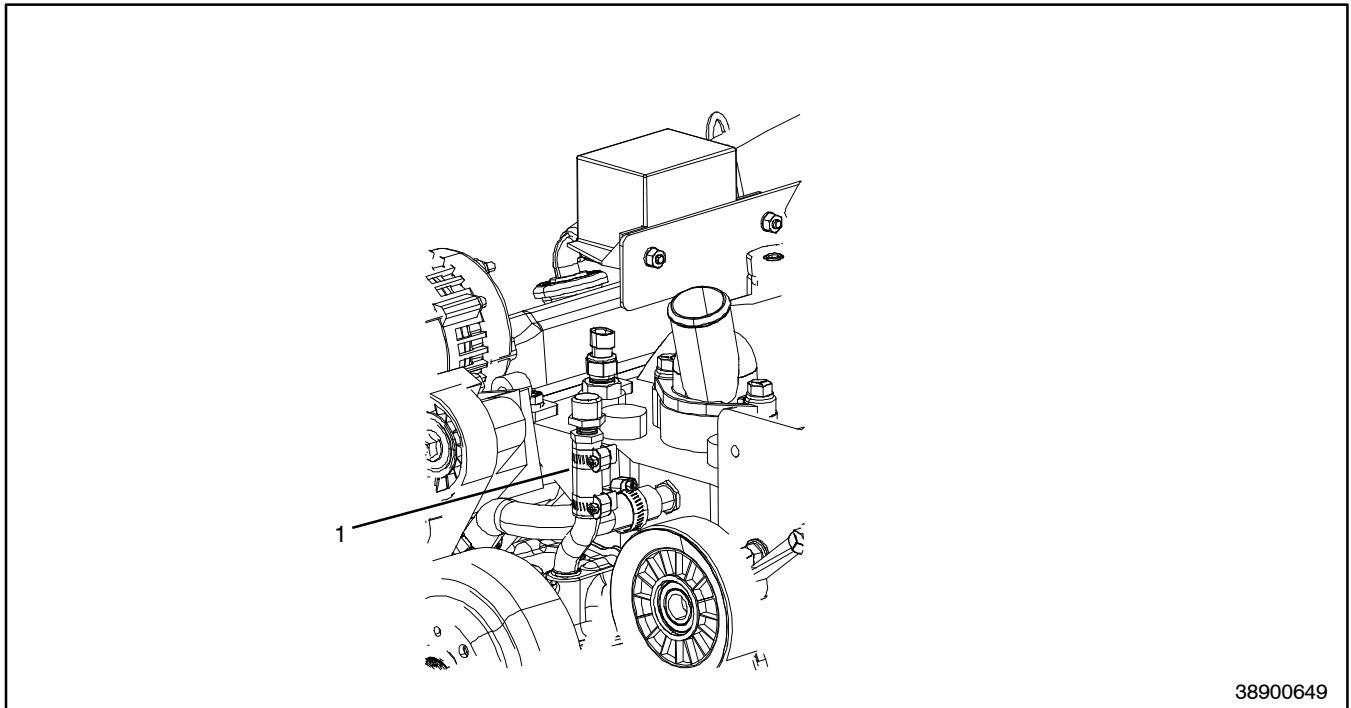
1-21: Freeze Plug

Variation: 38050850

Not illustrated.

Item	Part No.	Description	Qty.
1	GM16116	Adapter, freeze plug 1/2" NPT	1
2	GM16118	Plug, 1/2" NPT brass	1
3	GM16119	Pipe, street elbow 1/2" NPT	1

1-22: Water Pump Hardware



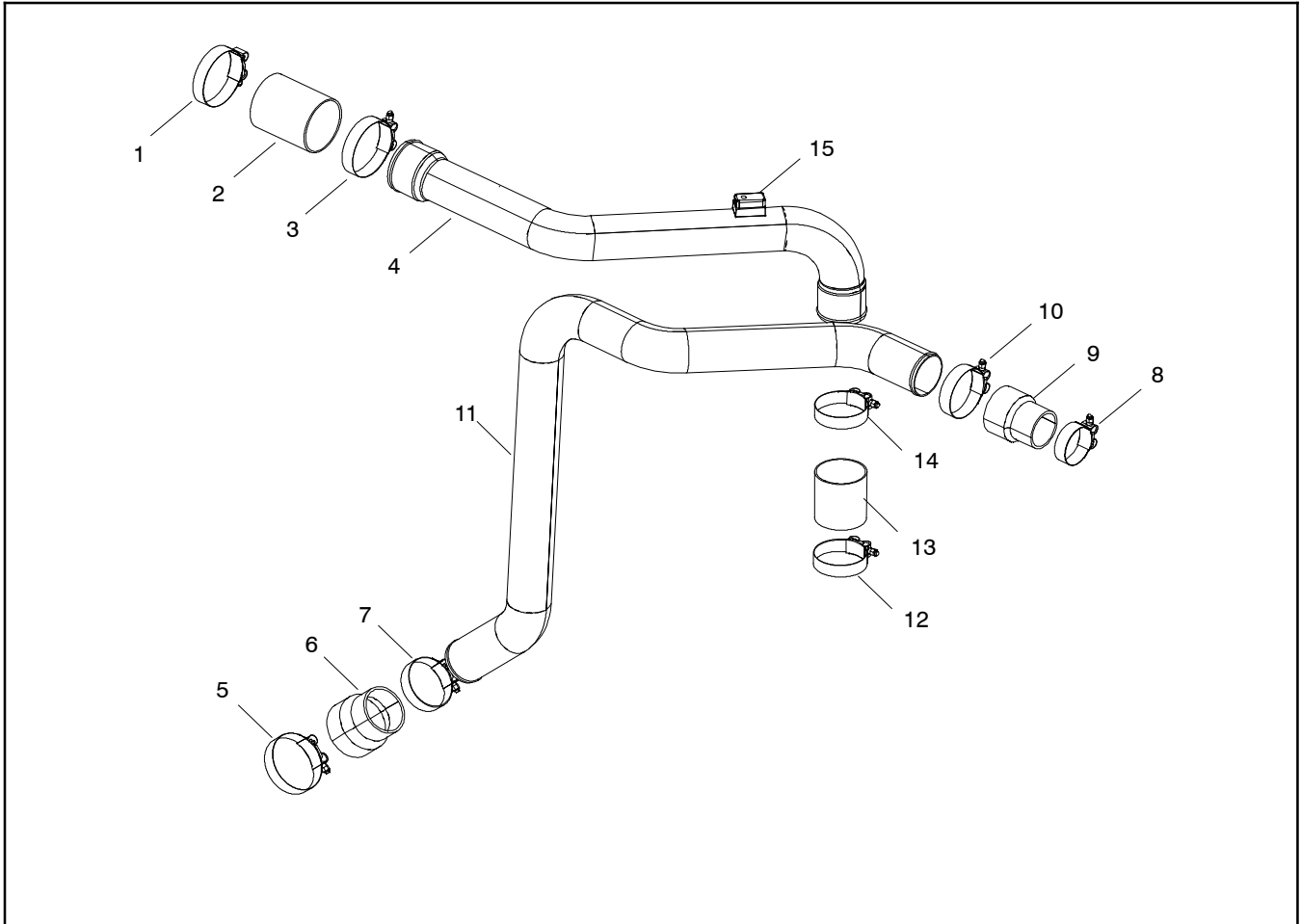
38900649

Variation: 38900649

Item	Part No.	Description	Qty.
1	GM16140	Cap, Bypass 5/8" (includes cap, connector, hose, clamps)	1

1-23: Charge Air Cooler Tubing

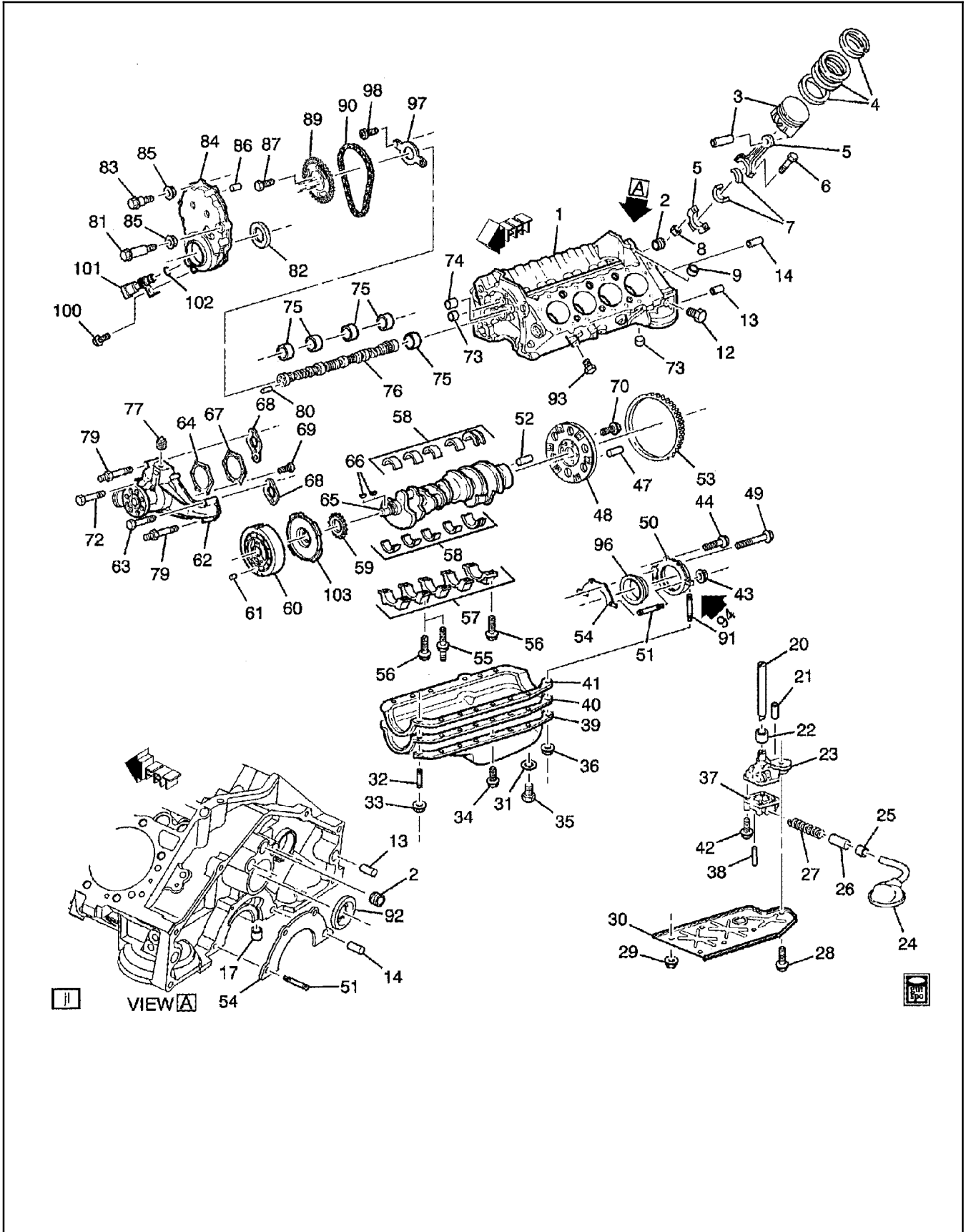
Variation: 1



Item	Part No.	Description	Qty.
1	GM29601	Clamp, 2 3/4-3 5/8 in.	1
2	GM66242	Hose, silicone 3 ID x 3 in.	1
3	GM29601	Clamp, 2 3/4-3 5/8 in.	1
4	GM98516	CAC to Throttle Pipe	1
5	GM29601	Clamp, 2 3/4-3 5/8 in.	1
6	GM66240	Hose, silicone 2 1/2 x 3 in.	1
7	GM85025	Clamp, Const Trq 2 1/4-3 1/8	1
8	GM29603	Clamp, 1 9/16-2 1/2 in.	1
9	GM28914	Hose	1
10	GM85025	Clamp, Const Trq 2 1/4-3 1/8	1
11	GM98517	Turbo to CAC Pipe	1
12	GM85025	Clamp, Const Trq 2 1/4-3 1/8	1
13	GM66241	Hose, silicone 2 3/4 ID x 3 in.	1
14	GM85025	Clamp, Const Trq 2 1/4-3 1/8	1
15	GM72302	Sensor, T map 3-bar	1

2-1: Engine Block/Lower End

Variaton: 5.0 L



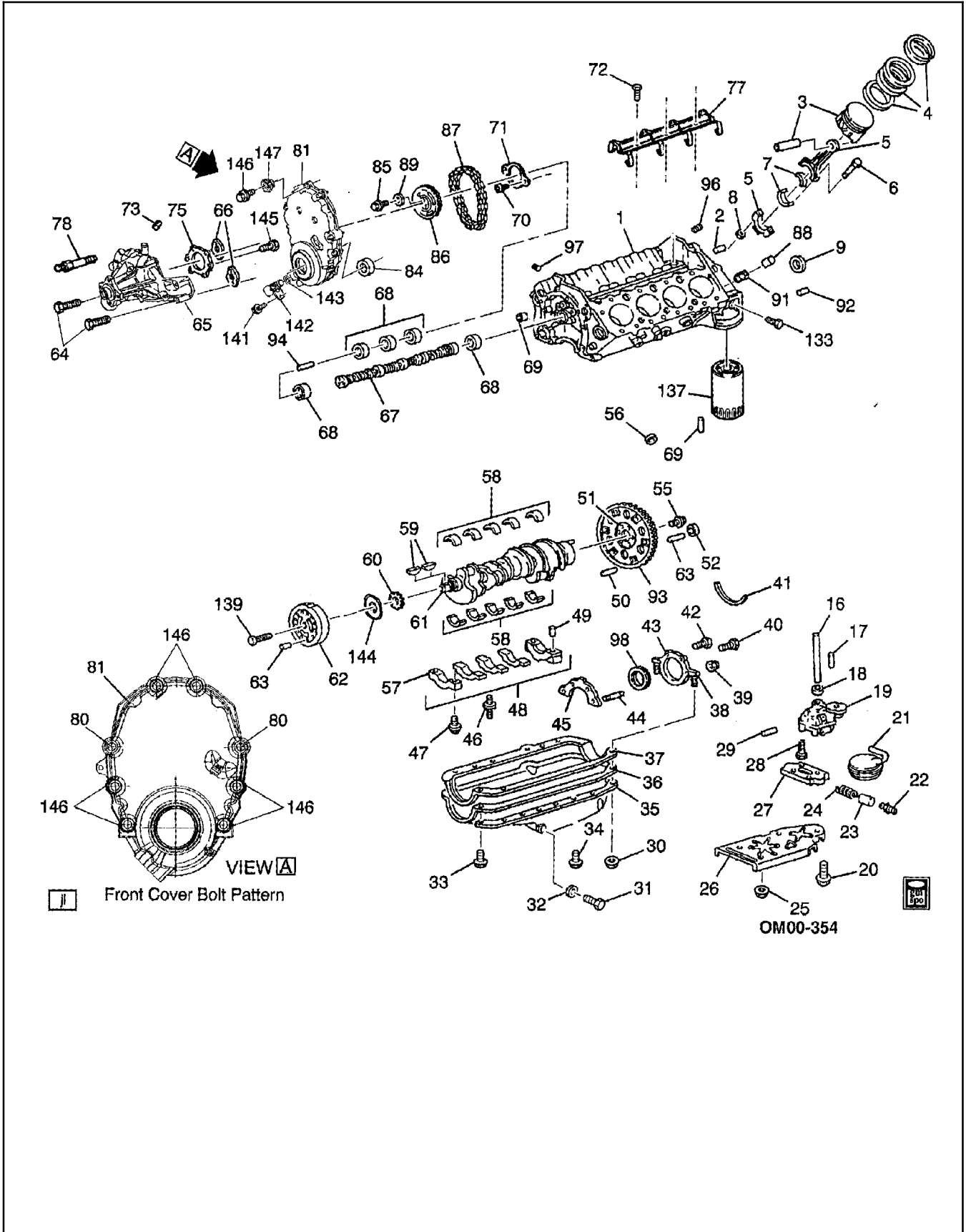
2-1: Engine Block/Lower End

Variaton: 5.0 L

Item	Part No.	Description	Qty.	Item	Part No.	Description	Qty.
2	GM16429	Plug, hex 1/4-18 x .69	3	54	GM38981	Gasket, crankshaft rear oil seal housing	1
3	GM75055	Piston, (w/pin) (std)	8	55	GM16497	Stud, crankshaft bearing cap	5
3	GM75056	Piston, (w/pin) (.030 o.s.)	8	56	GM16588	Bolt, crlshf brg cap (7/16-14X3.34)	10
4	GM75053	Ring kit, pstn (.030 o.s.)	8	57	-	Not serviced	4
4	GM75052	Ring kit, pstn (std)	8	58	GM16451	Bearing kit, crankshaft (.001 OS)	4
5	GM16363	Rod, connecting	8	58	GM16447	Bearing kit, crankshaft (.001 mm OS)	1
6	GM16546	Bolt, connecting rod	16	59	GM16509	Sprocket, Crankshaft (18 teeth)	1
7	GM75054	Bearing kit, conn rod	8	60	GM64571	Balancer, crankshaft	1
7	GM16443	Bearing kit, conn rod (.001 OS)	8	62	GM16440	Pump kit, water, (incls plug, seal, cover, gasket)	1
8	GM16586	Nut, connecting rod	16	64	GM16483	Gasket, water pump cover	1
9	GM16577	Plug	1	65	GM75020	Crankshaft, (incls 64, 67, 69)	1
12	GM16504	Plug, hex 1/4-18 x 0.56	2	66	GM16539	Key, crankshaft balancer	1
13	GM38899	Pin	2	68	GM16582	Gasket, water pump	2
14	GM16599	Pin, crnkshft rear oil seal locator	1	69	-	Bolt, w/pmp cvr(part of #62)	1
17	GM16512	Plug, 476 x .31	1	70	GM38896	Bolt, flywheel	6
20	GM16589	Shaft, oil pump drive	1	72	GM75106	Bolt, w/pmp(3/8-16x2.75)	1
21	GM16476	Pin, locator 1/4 x 5/8	2	73	GM16512	Plug, 476 x .31	1
22	GM16583	Retainer, oil pump drive shaft	1	74	GM16365	Plug, engine block oil galley	1
23	GM16482	Pump, oil (.742 dia. Tube)	1	75	GM16431	Bearing, camshaft	1
24	GM16455	Screen, oil pump	1	75	GM16432	Bearing, camshaft	2
25	GM16580	Plug, oil press relief valve bore	1	75	GM16433	Bearing, camshaft	2
26	GM16579	Valve, oil pressure relief	1	76	GM75102	Camshaft	1
27	GM75093	Spring, oil press rlf vlv	1	77	GM75038	Plug, w/pmp	1
28	GM16347	Bolt, oil pump 7/16-14 x 2 3/8	1	79	GM16820	Stud, water pump	RH
29	GM16603	Nut, crankshaft oil deflector	5	80	GM16476	Pin, locator 1/4 x 5/8	1
30	GM16492	Deflector, crankshaft oil	1	84	GM53099	Cover, engine front	1
31	GM75088	Seal, oil pan drn plug(o ring)	1	86	-	Not serviced	1
34	GM16596	Bolt, oil pan	14	89	GM16463	Sprocket, camshaft (36 teeth)	1
36	GM16553	Nut, oil pan	4	90	GM16508	Chain, camshaft timing (roller chain)	1
37	GM16376	Cover, oil pump	1	91	GM16502	Stud, crankshaft rear oil seal retainer	2
38	GM16549	Pin	1	92	GM16397	Plug, camshaft rear bearing hole	1
39	GM16467	Reinforcement, oil pan	LH	93	GM16504	Plug, hex 1/4-18 x 0.56	1
39	GM16468	Reinforcement, oil pan	RH	94	GM75223	Sealer, crishf balr keyway	AR
40	GM16449	Pan, oil	1	96	GM16474	Seal, crankshaft rear oil	1
41	GM16362	Gasket, oil pan	1	97	GM16372	Retainer, camshaft	1
42	GM16422	Bolt, oil pump cover	4	98	GM16513	Bolt, balancer shaft retainer	2
43	GM75010	Nut, crishf rr oil seal ret	1	100	GM75040	Bolt, crishf posn sen	1
44	GM16505	Bolt, crankshaft rear oil seal housing	2	101	GM75083	Sensor, crishf posn	1
48	GM75097	Flywheel, eng(flywhl), (has hardened ring gear teeth)	1	102	GM75023	Seal, crishf posn sen(o ring)	1
49	GM16506	Bolt, crnkshft rear oil seal hsg	1	103	GM75018	Ring, crishf posn sen reluctor	1
50	GM16473	Housing, crankshaft rear oil seal	1				
51	GM16518	Stud, crankshaft rear oil seal retainer	1				
52	GM75013	Pin, flywhl loc(flywhl)	1				
53	GM75008	Gear, flywhl ring(flywhl)	1				

2-1: Engine Block/Lower End, continued

Variaton: 5.7 L



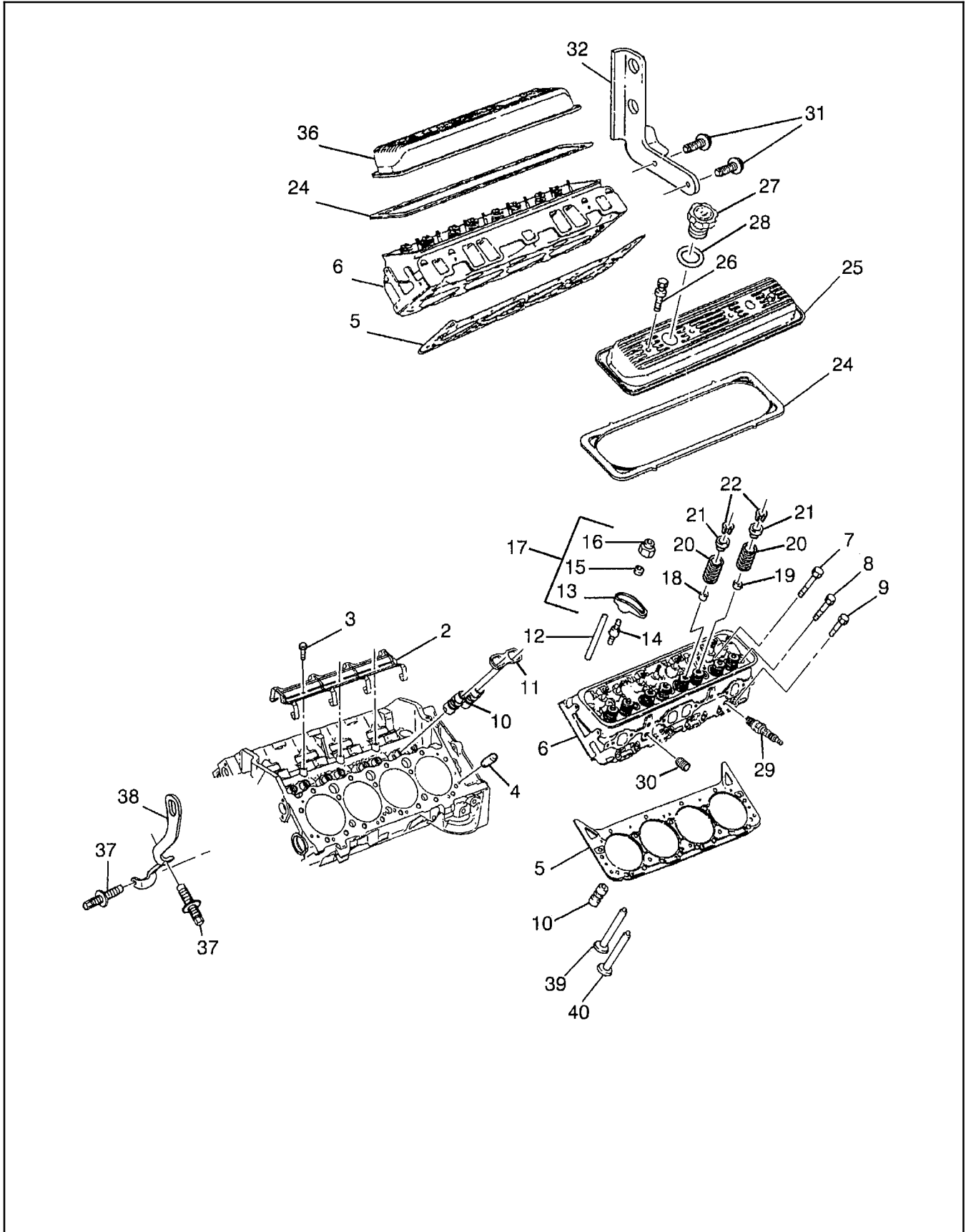
2-1: Engine Block/Lower End, continued

Variaton: 5.7 L

Item	Part No.	Description	Qty.	Item	Part No.	Description	Qty.
2	GM16429	Plug, hex 1/4-18 x .69	1	57	GM75006	Cap, cr/shf brg(posn #1)	1
3	GM16442	Piston, (w/pin)(std)	8	58	GM16451	Bearing kit, crankshaft (#1,2,3,4).(001 OS)	4
3	GM75226	Piston, (w/pin)(0.127mm O.S.)	8				
3	GM16445	Piston, (w/pin)(0.5mm O.S.)	8	58	GM16447	Bearing kit, crankshaft (#5) (.001 mm OS)	1
4	GM16444	Ring kit, piston (0.50 mm OS)	8				
4	GM16441	Ring kit, piston std.	8	59	GM16539	Key, crankshaft balancer	2
5	GM16363	Rod, connecting	8	60	GM16509	Sprocket, Crankshaft (18 teeth)	1
6	GM16546	Bolt, connecting rod	16	61	GM16403	Crankshaft	1
7	GM75054	Bearing kit, conn rod	8	62	GM64571	Balancer, crankshaft	1
8	GM16586	Nut, connecting rod	16	63	GM38899	Pin	2
9	GM16397	Plug, camshaft rear bearing hole	1	64	GM16462	Bolt, water pump 3/8-16 x 2.12	4
16	GM16589	Shaft, oil pump drive	1	65	GM16440	Pump kit, water (incl's plug, seal, cover, gasket)	1
17	GM16476	Pin, locator 1/4 x 5/8	1				
18	GM16583	Retainer, oil pump drive shaft	1	66	GM16582	Gasket, water pump	2
19	GM16482	Pump, oil (.742 dia. Tube)	1	67	GM16398	Camshaft	1
20	GM16347	Bolt, oil pump 7/16-14 x 2 3/8	1	68	GM16431	Bearing, camshaft	1
21	GM16455	Screen, oil pump	1	68	GM16432	Bearing, camshaft	2
22	GM16580	Plug, oil press relief valve bore	1	68	GM16433	Bearing, camshaft	2
23	GM16579	Valve, oil pressure relief	1	69	GM16512	Plug, 476 x .31	1
24	GM75093	Spring, oil press rlf viv	1	69	GM16429	Plug, hex 1/4-18 x .69	1
25	GM16603	Nut, crankshaft oil deflector	5	69	GM16365	Plug, engine block oil galley	2
26	GM16492	Deflector, crankshaft oil	1	70	GM16513	Bolt, balancer shaft retainer	2
27	GM16376	Cover, oil pump	1	71	GM16372	Retainer, camshaft	1
28	GM16422	Bolt, oil pump cover	4	72	GM16528	Bolt, valve lifter guide retainer	3
30	GM16553	Nut, oil pan	4	73	GM75038	Plug, w/pmp	1
32	GM75088	Seal, oil pan drn plug(o ring)	1	75	GM16483	Gasket, water pump cover	1
33	GM16596	Bolt, oil pan	14	77	GM16519	Retainer, valve lifter guide	1
34	GM16596	Bolt, oil pan	14	80	GM16458	Bolt, engine front cover	2
35	GM16467	Reinforcement, oil pan	LH	81	GM53099	Cover, engine front	1
35	GM16468	Reinforcement, oil pan	RH	84	GM16366	Seal, crankshaft front oil	1
36	GM16449	Pan, oil	1	85	GM16594	Bolt, camshaft sprocket	3
37	GM16362	Gasket, oil pan	1	86	GM16463	Sprocket, camshaft (36 teeth)	1
38	GM16502	Stud, crnkshft rr oil seal retainer	2	87	GM16508	Chain, cmshtf tmg (roller chain)	1
39	GM75010	Nut, crishf rr oil seal ret	1	88	GM16429	Plug, hex 1/4-18 x .69	1
40	GM16506	Bolt, crankshaft rear oil seal hsg	1	89	GM16575	Washer, camshaft sprocket	3
41	-	Not serviced	1	91	GM16429	Plug, hex 1/4-18 x .69	1
42	GM16505	Bolt, crankshaft rear oil seal hsg	2	92	GM38899	Pin	2
43	GM16473	Housing, crankshaft rear oil seal	1	93	GM75008	Gear, flywhl ring(flywhl)	1
44	GM16518	Stud, crnkshft rr oil seal retainer	1	94	GM16476	Pin, locator 1/4 x 5/8	2
45	GM38981	Gasket, crnkshft rr oil seal hsg	1	96	GM16504	Plug, hex 1/4-18 x 0.56	2
46	GM16497	Stud, crankshaft bearing cap	AR	97	GM16504	Plug, hex 1/4-18 x 0.56	2
47	GM16588	Bolt, crishf brg cap (7/16-14X3.34)	10	98	GM16474	Seal, crankshaft rear oil	1
48	GM75007	Cap, cr/shf brg (posn #2, 3, 4)	3	133	GM16429	Plug, hex 1/4-18 x .69	1
49	GM16599	Pin, crnkshft rear oil seal locator	1	142	GM16510	Plug, 3/8-18 x .42	3
50	GM75013	Pin, flywhl loc(flywhl)	1	143	GM75083	Sensor, crishf posn	1
51	GM75097	Flywheel, eng(flywhl), (has hardened ring gear teeth)	1	144	GM75018	Ring, crishf posn sen reluctor	1
52	GM75095	Bearing, clu pilot	1	145	GM16513	Bolt, balancer shaft retainer	6
55	GM38896	Bolt, flywheel	6	145	GM16601	Bolt, water pump cover	8
56	GM16585	Plug, eng blk core hole (brass, 41.4 mm)	8	146	GM16458	Bolt, engine front cover	6
				147	GM16388	Grommet, engine front cover	8

2-2: Engine Head/Upper End

Variaton: 5.0 L



2-2: Engine Head/Upper End

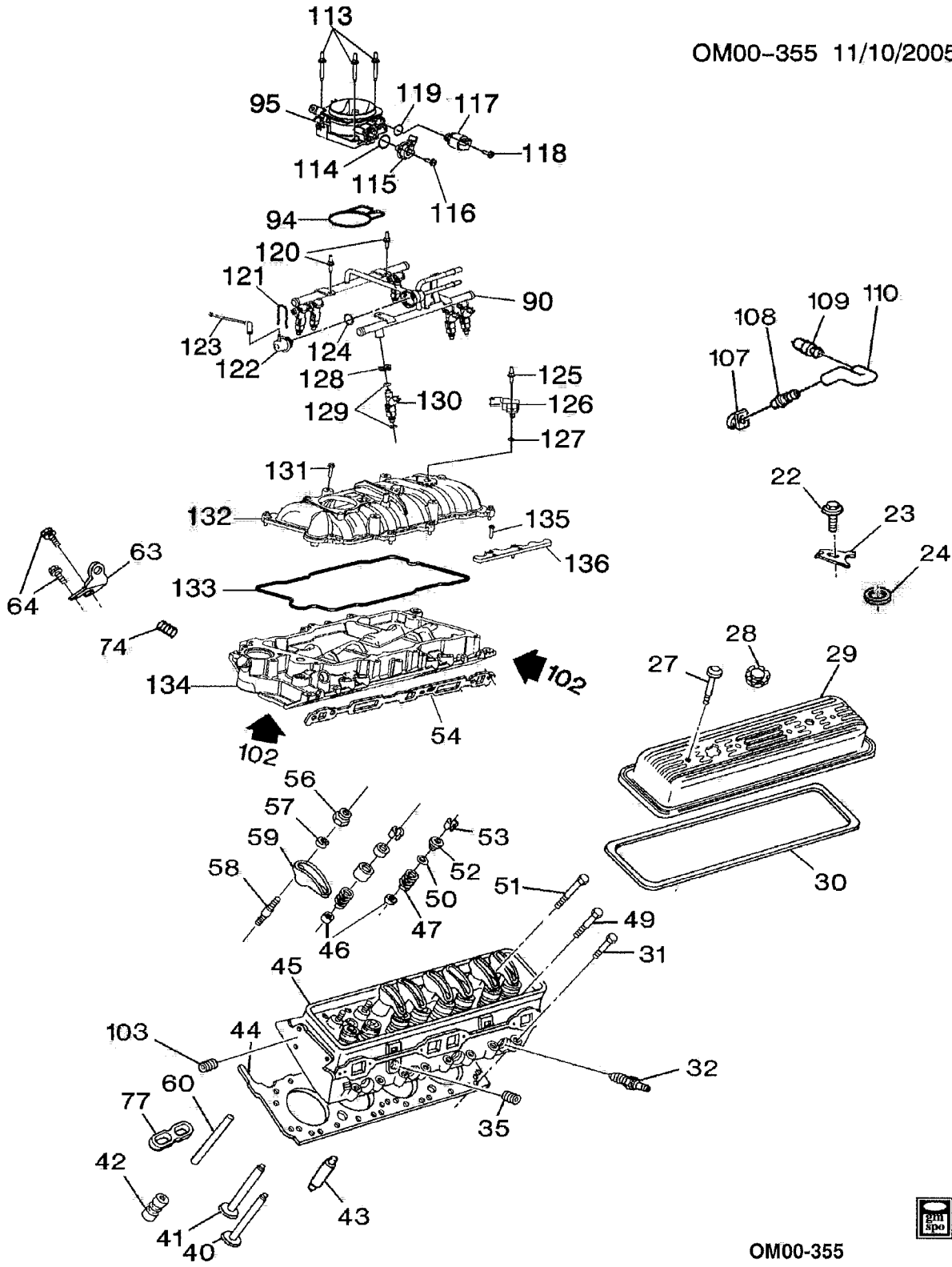
Variaton: 5.0 L

Item	Part No.	Description	Qty.	Item	Part No.	Description	Qty.
2	GM16519	Retainer, valve lifter guide	1	21	GM16402	Cap, valve spring	16
3	GM16528	Bolt, valve lifter guide retainer	3	22	GM16529	Key, valve stem	16
4	GM16547	Pin, cylinder head locator	4	24	GM16348	Gasket, valve rocker arm cover	2
5	GM75100	Gasket, cyl hd		25	GM16481	Cover, valve rocker arm	LH
6	GM75057	Head, cyl	2	26	GM16427	Bolt, valve rocker arm cover	16
8	GM16374	Blt, cy. hd, med (7/16-14x3 1/16)	4	27	GM16361	Cap, Oil fill (97.5mm tube w/threaded cap) (incl 28)	1
9	GM16375	Blt, cy. head, short (7/16 x 1 3/4)	16	28	-	Seal, oll fil cap(o ring)(part of 28)	
10	GM16523	Lifter, valve	16	29	-	Spark plug See Group 1-12	8
11	GM16453	Guide, valve lifter	8	30	-	Not serviced	
12	GM16400	Rod, valve push	16	31	-	Not used	
13	-	Arm, vlv rkr(part of 17)		32	-	Not used	
14	GM38918	Stud, vlv rkr ball (.003 in. OS)	16	36	GM75059	Cover, vlv rkr arm	RH
15	-	Ball, vlv rkr arm(part of 17)		37	-	Not used	
16	-	Nut, vlv rkr arm(part of 17)		38	-	Not used	
17	GM16351	Arm kit, valve rocker	16	39	GM16456	Valve, exhaust (std)	8
18	GM16385	Seal, intake valve stem oil	8	40	GM75022	Valve, int (std)	8
19	GM16496	Seal, exh vlv stem Oil	8				
20	GM16386	Spring, valve (w/o damper)	16				

2-2: Engine Head/Upper End, continued

Variaton: 5.7 L

OM00-355 11/10/2005



OM00-355

2-2: Engine Head/Upper End, continued

Variaton: 5.7 L

Item	Part No.	Description	Qty.	Item	Part No.	Description	Qty.
22	GM75039	Bolt	1	63	-	Not Serviced	
23	-	Clamp (See Group 1-10)	1	64	-	Not Serviced	
24	GM16360	Gasket, distributor	1	74	GM16533	Plug, water outlet	1
27	GM16427	Bolt, valve rocker arm cover	8	77	GM16453	Guide, valve lifter	8
28	GM16361	Cap, oil fil (97.5mm tube w/threaded cap)	1	90	-	Not Used	
29	GM16481	Cover, valve rocker arm	LH	94	-	Not Used	
29	GM16480	Cover, valve rocker arm	RH	95	-	Not Used	
30	GM16348	Gasket, valve rocker arm cover	2	102	-	See Group 1-19	
31	GM16375	Bolt, cy. hd, short (7/16 x 1 3/4)	16	107	-	See Group 1-13	
32	-	Spark plug (See Group 1-12)	8	108	-	See Group 1-13	
35	GM16542	Plug, eng cool temp in dr hole	AR	109	-	See Group 1-13	
40	GM16401	Valve, intake standard	8	110	-	See Group 1-13	
41	GM16464	Valve, exhaust standard	8	113	-	Not Used	
42	GM16523	Lifter, valve	16	114	-	Not Used	
43	GM16547	Pin, cylinder head locator	8	115	-	Not Used	
44	GM16353	Gasket, cylinder head (60 kw)	2	116	-	Not Used	
44	GM85014	Gskt, head (5.7L Turbo) (80/100 kW)	2	117	-	Not Used	
45	GM16450	Head, cylinder (60 kw)	2	118	-	Not Used	
45	GM85051	Head, cyl. (5.7L Turbo) (80/100 kW)	2	119	-	Not Used	
46	GM16385	Seal, intake valve stem oil	8	120	-	Not Used	
47	GM16386	Spring, valve (w/o damper)	16	121	-	Not Used	
49	GM16374	Blt, cy. hd, med (7/16-14x3 1/16)	4	122	-	Not Used	
50	GM16496	Seal, exh vlv stem oil	8	123	-	Not Used	
51	GM16373	Bolt, cy. hd, lg (7/16-14x3 51/64)	14	124	-	Not Used	
52	GM16402	Cap, valve spring	16	125	-	See Group 1-13	
53	GM16529	Key, valve stem	32	126	-	See Group 1-13	
54	-	See Group 1-19		127	-	See Group 1-13	
56	GM16493	Nut, valve rocker arm	16	128	-	Not Used	
57	-	Ball, vlv rkr arm(part of item #59)		129	-	Not Used	
58	GM38918	Stud, vlv rkr ball (.003 in. OS)	16	130	-	Not Used	
58	GM16584	Stud, valve rocker arm ball	16	131	-	See Group 1-19	
59	GM16351	Arm kit, valve rocker	16	132	-	See Group 1-19	
60	GM16400	Rod, valve push	16	133	-	See Group 1-19	
				134	-	See Group 1-19	
				135	-	See Group 1-19	
				136	-	See Group 1-19	

Notes

KOHLER[®] Power Systems

KOHLER CO. Kohler, Wisconsin 53044
Phone 920-457-4441, Fax 920-459-1646
For the nearest sales and service outlet in the
US and Canada, phone 1-800-544-2444
KohlerPower.com

Kohler Power Systems
Asia Pacific Headquarters
7 Jurong Pier Road
Singapore 619159
Phone (65) 6264-6422, Fax (65) 6264-6455

TP-6731 7/16d

© 2010, 2011, 2012, 2014, 2016 by Kohler Co. All rights reserved.