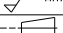



LOW VOLTAGE COMMUNICATION LEADS
HIGH VOLTAGE LOAD LEADS

NOTE: DIMENSIONS IN [] ARE INCH EQUIVALENTS.

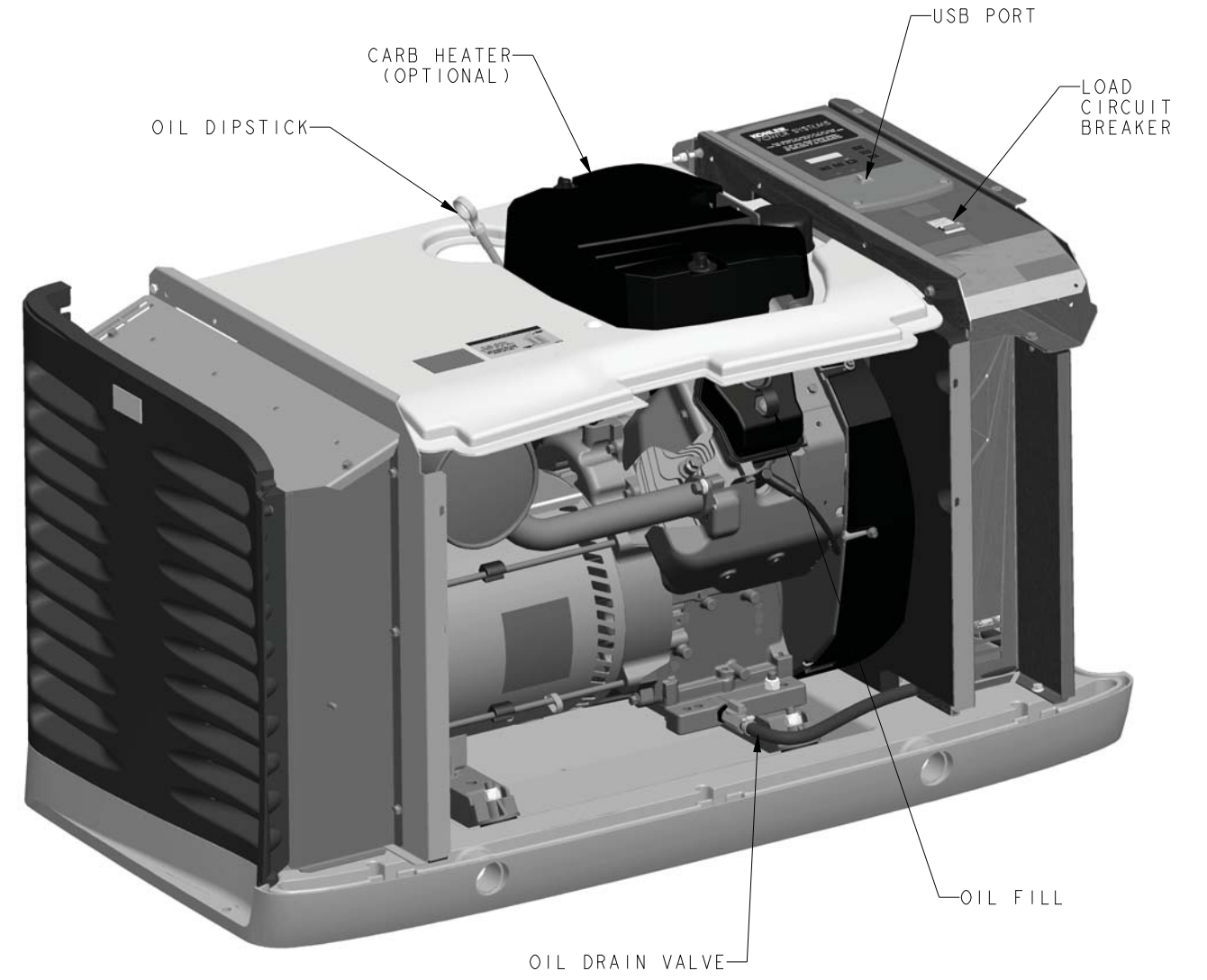
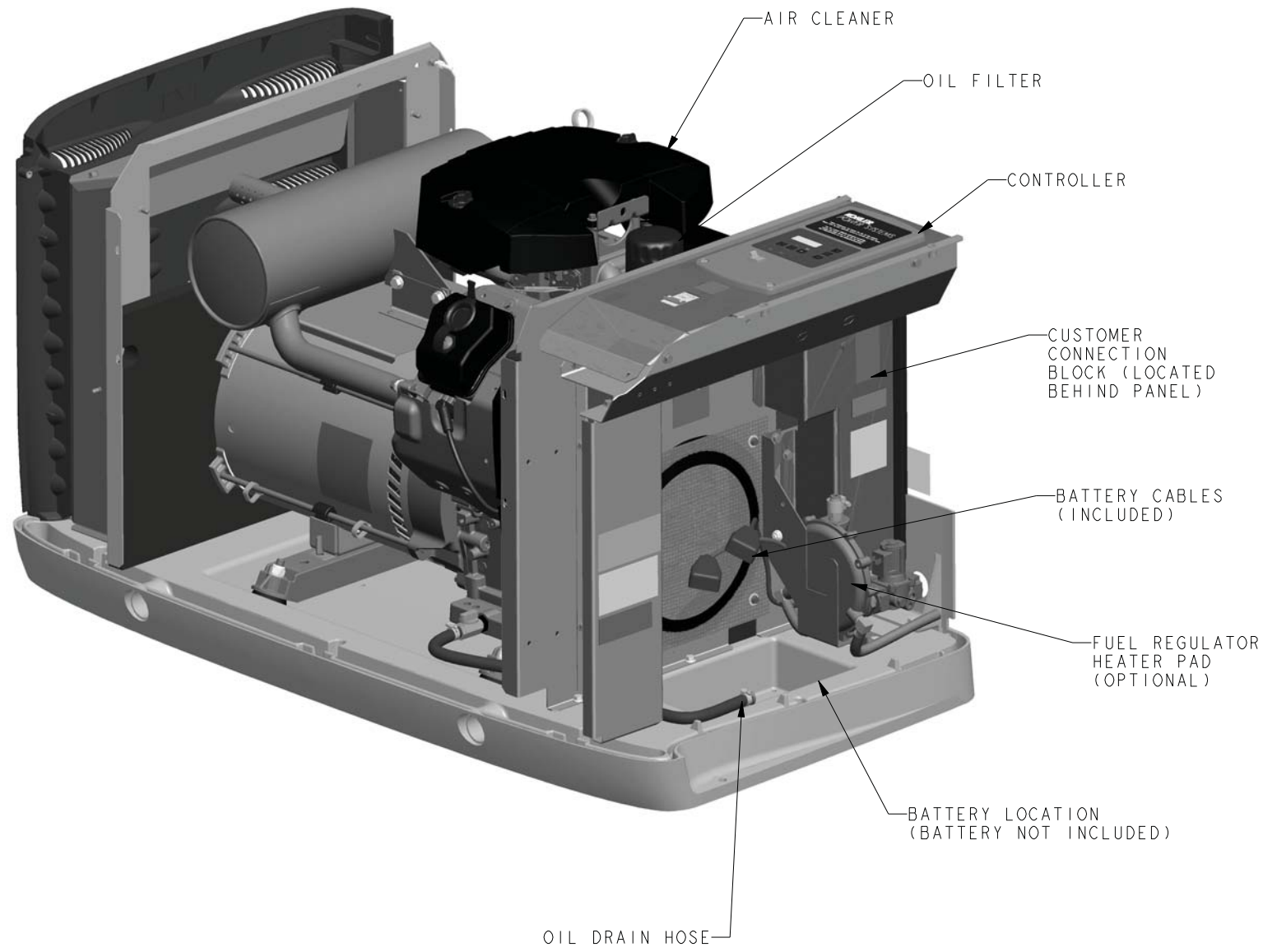
REV	DATE	ON COMPOSITE DWGS. SEE PART NO. FOR REVISION LEVEL	BY
-	12-22-14	NEW DRAWING [CT101550]	BGW
UNLESS OTHERWISE SPECIFIED -			
1) DIMENSIONS ARE IN MILLIMETERS			
2) TOLERANCES ARE:			
X.XX ±			
X.X ±			
X ±			
ANGLES ±			
SURFACE FINISH			
MAX. 			
THIRD ANGLE PROJECTION 			
APPROVALS		DATE	
DRAWN BGW		12-22-14	
CHECKED KJB		12-22-14	
APPROVED KJB		12-22-14	

KOHLER CO. METRIC PRO-E
POWER SYSTEMS, KOHLER, WI 53044 U.S.A.
THIS DRAWING IN DESIGN AND DETAIL IS KOHLER CO. PROPERTY AND MUST NOT BE USED EXCEPT IN CONNECTION WITH KOHLER CO. WORK. ALL RIGHTS OF DESIGN OR INVENTION ARE RESERVED.

TITLE: **DIMENSION PRINT, 20RESC**

SCALE: 0.16 | CAD NO. | SHEET 1 of 4
Dwg NO. **ADV-8754** | **D**

20RESC

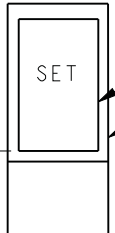


REV	DATE	ON COMPOSITE DWGS. SEE PART NO. FOR REVISION LEVEL	BY	UNLESS OTHERWISE SPECIFIED - 1) DIMENSIONS ARE IN MILLIMETERS 2) TOLERANCES ARE:	APPROVALS	DATE	TITLE
-	12-22-14	NEW DRAWING [CT101550]	BGW	X.XX ± X.X ± X ± ANGLES ±			KOHLER CO. METRIC PRO-E POWER SYSTEMS, KOHLER, WI 53044 U.S.A. THIS DRAWING IN DESIGN AND DETAIL IS KOHLER CO. PROPERTY AND MUST NOT BE USED EXCEPT IN CONNECTION WITH KOHLER CO. WORK. ALL RIGHTS OF DESIGN OR INVENTION ARE RESERVED.
				SURFACE FINISH MAX.			DIMENSION PRINT, 20RESC
				THIRD ANGLE PROJECTION			SCALE 0.25 CAD NO. SHEET 2 of 4
							DWG NO. ADV-8754 D

20RESC

OCCUPIED STRUCTURE

COMBUSTIBLE WALL: 5 FT.
NON-COMBUSTIBLE WALL:
18" MIN. 3 FT RECOMMENDED

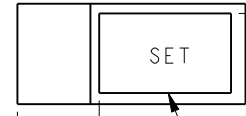
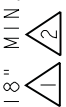


SERVICE DOOR
MOUNTING AREA

4 FT. CLEARANCE
AT EXHAUST END

OCCUPIED STRUCTURE

COMBUSTIBLE WALL: 5 FT.
NON-COMBUSTIBLE WALL:
18" MIN. 3 FT RECOMMENDED

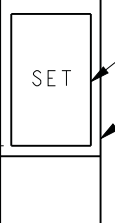


SERVICE DOOR
MOUNTING AREA

4 FT. CLEARANCE
AT EXHAUST END

OCCUPIED
STRUCTURE

COMBUSTIBLE WALL: 5 FT
NON-COMBUSTIBLE WALL:
18" MIN. 3 FT RECOMMENDED



SERVICE DOOR
MOUNTING AREA

4 FT. CLEARANCE
AT EXHAUST END

COMBUSTIBLE WALL: 5 FT.
NON-COMBUSTIBLE WALL:
18" MIN. 3 FT RECOMMENDED



NOTE:

- 1) THE RECOMMENDED DISTANCE FROM A STRUCTURE IS DEPENDENT ON STATE AND LOCAL CODES. NFPA 37, STANDARDS FOR THE INSTALLATION AND USE OF STATIONARY COMBUSTION ENGINES AND GAS TURBINES, STATES THIS DISTANCE SHOULD BE AT LEAST 5 FEET FROM A COMBUSTIBLE MATERIAL.
- 2) FOR INSTALLATIONS NEAR NON-COMBUSTIBLE STRUCTURE, A MINIMUM DISTANCE OF 18" IS REQUIRED TO ENSURE PROPER GENERATOR COOLING.

ACCEPTABLE

- 1) EXHAUST IS AIMED AWAY OR PARALLEL TO STRUCTURE.
- 2) EXHAUST IS NOT DIRECTED AT PLAY AREAS, PATIOS OR OTHER AREAS WHERE PEOPLE CONGREGATE.
- 3) THE NEAREST WINDOW, VENT, DOOR OR SIMILAR STRUCTURE OPENING IS AT LEAST 5 FEET FROM THE EXHAUST END OF THE SET.
- 4) SET HAS PROPER OFFSET FROM STRUCTURE.
- 5) WINDOWS & DOORS ON ADJACENT WALLS ARE CLOSED.
- 6) FURNACE AND OTHER SIMILAR INTAKES ARE AT LEAST 10 FEET FROM EXHAUST END OF SET.
- 7) WEED BARRIER AND 3 INCH THICK GRAVEL BASE OR CONCRETE PAD LOCATED TO PREVENT GRASS & WEEDS FROM GROWING TOO CLOSE TO THE SET.
- 8) NO PLANTS, SHRUBS OR OTHER COMBUSTIBLES ALLOWED IN CLEARANCE AREA. (MINIMUM 4 FT. FROM EXHAUST END).
- 9) REFER TO OWNERS MANUAL FOR OTHER INSTALLATION CONSTRAINTS.
- 10) NO PLANTS, SHRUBS, OR OTHER COMBUSTIBLES ALLOWED WITHIN 18" OF AIR INTAKE.

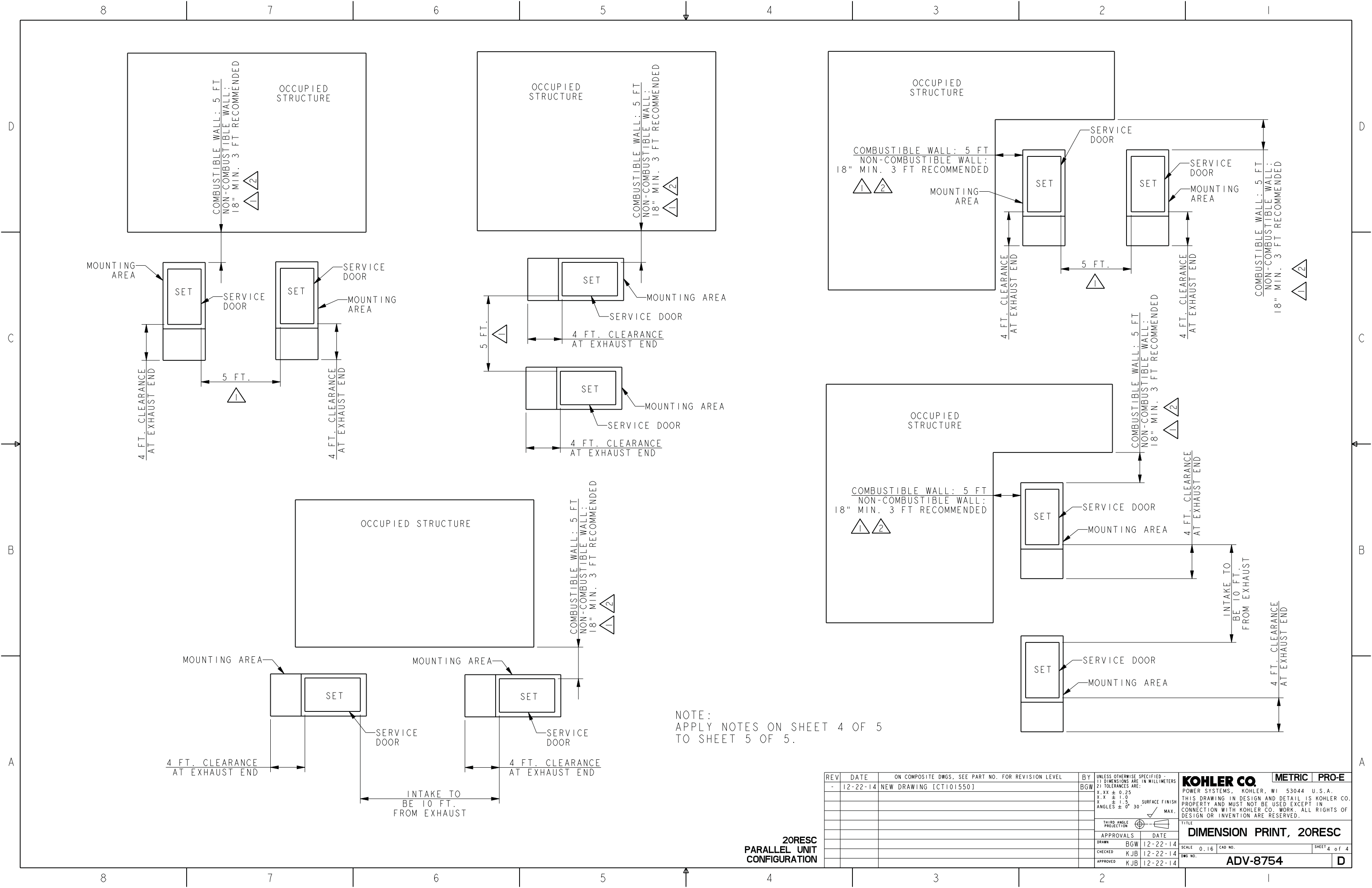
20RESC
SINGLE UNIT
CONFIGURATION

REV	DATE	ON COMPOSITE DWGS. SEE PART NO. FOR REVISION LEVEL	BY	UNLESS OTHERWISE SPECIFIED - 1) DIMENSIONS ARE IN MILLIMETERS 2) TOLERANCES ARE:
-	12-22-14	NEW DRAWING [CT101550]	BGW	X.XX ± X.X ± X ± ANGLES ±
				SURFACE FINISH MAX.
				THIRD ANGLE PROJECTION
				APPROVALS
				DATE
				DRAWN BGW 12-22-14
				CHECKED KJB 12-22-14
				APPROVED KJB 12-22-14

KOHLER CO. METRIC PRO-E
POWER SYSTEMS, KOHLER, WI 53044 U.S.A.
THIS DRAWING IN DESIGN AND DETAIL IS KOHLER CO. PROPERTY AND MUST NOT BE USED EXCEPT IN CONNECTION WITH KOHLER CO. WORK. ALL RIGHTS OF DESIGN OR INVENTION ARE RESERVED.

TITLE
DIMENSION PRINT, 20RESC

SCALE 0.40 CAD NO. SHEET 3 of 4
DWG NO. **ADV-8754** **D**



NOTE:
APPLY NOTES ON SHEET 4 OF 5
TO SHEET 5 OF 5.

20RESC
PARALLEL UNIT
CONFIGURATION

REV	DATE	ON COMPOSITE DWGS. SEE PART NO. FOR REVISION LEVEL	BY	UNLESS OTHERWISE SPECIFIED - 1) DIMENSIONS ARE IN MILLIMETERS 2) TOLERANCES ARE:
-	12-22-14	NEW DRAWING [CT101550]	BGW	X, XX ± 0.25 X, X ± 1.0 X, X ± 1.5 ANGLES ± 0° 30' MAX.
				THIRD ANGLE PROJECTION
				APPROVALS DATE
				DRAWN BGW 12-22-14
				CHECKED KJB 12-22-14
				APPROVED KJB 12-22-14

KOHLER CO. METRIC PRO-E
POWER SYSTEMS, KOHLER, WI 53044 U.S.A.
THIS DRAWING IN DESIGN AND DETAIL IS KOHLER CO. PROPERTY AND MUST NOT BE USED EXCEPT IN CONNECTION WITH KOHLER CO. WORK. ALL RIGHTS OF DESIGN OR INVENTION ARE RESERVED.

TITLE
DIMENSION PRINT, 20RESC

SCALE 0.16 CAD NO. SHEET 4 of 4
DWG NO. **ADV-8754** D