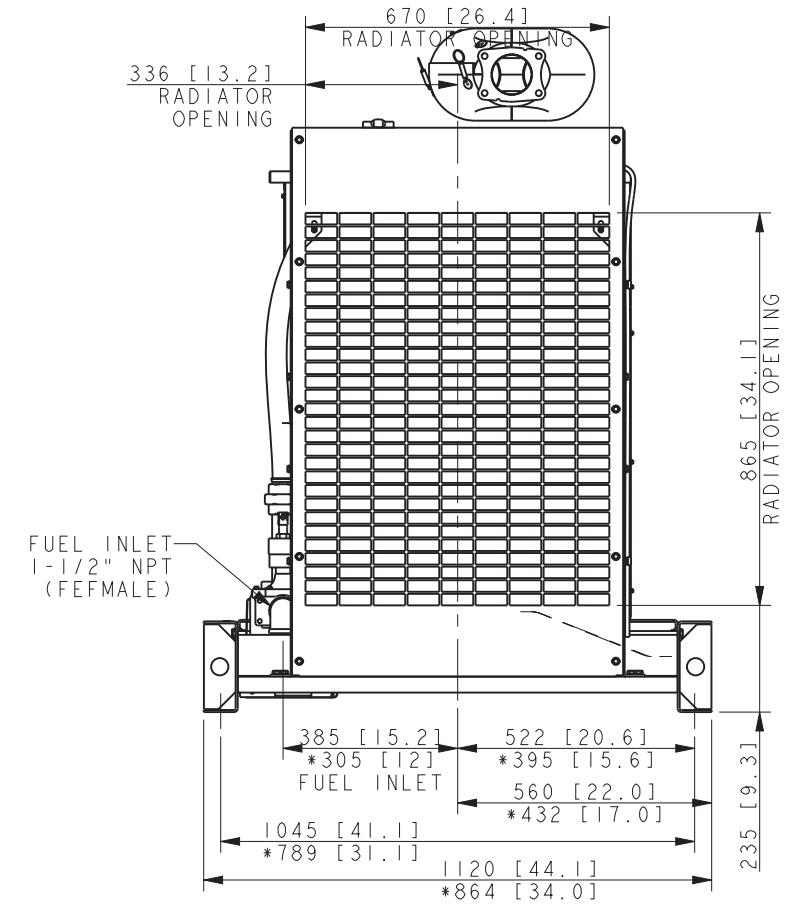
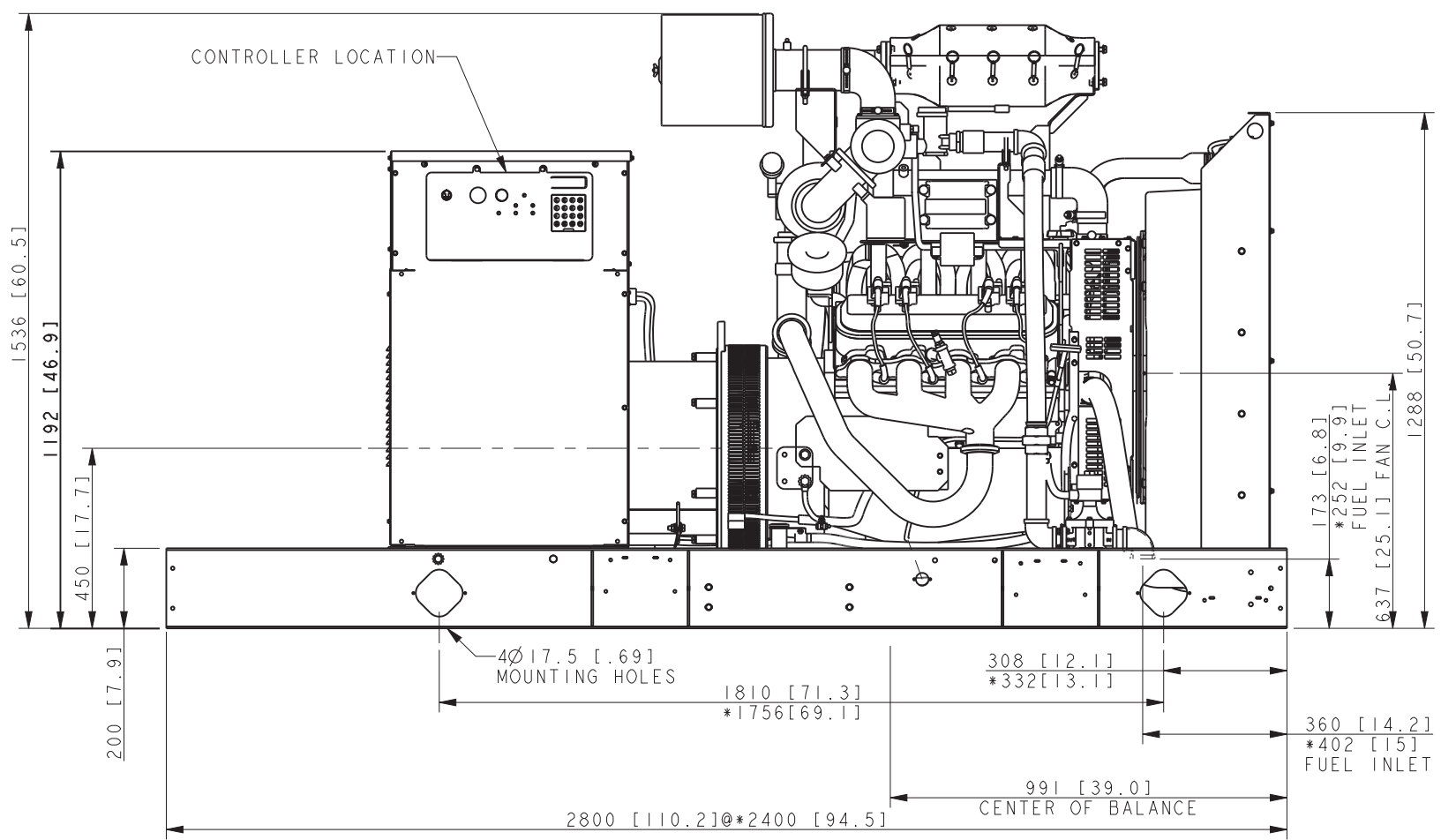


MODEL	ALTERNATOR	WEIGHT (WET)	
		KG	LBS
125	4R12X	1329	2930
125	4R13X/4T13X	1365	3009



NOTE: LIFTING LOCATION IS DIFFERENT THAN MOUNTING LOCATION ON 34" SKID MODEL
 * - DENOTES 34" SKID WIDTH
 DIMENSIONS IN [] ARE ENGLISH STANDARD EQUIVALENTS

EPA ENGINE SHOWN

125 MODEL, 4R12X/4R13X/4T13X RECONNECTABLE, IMPROVED MOTOR STARTING (IMS) RECONNECTABLE & 600V ALTERNATORS 8.8 LITER GM

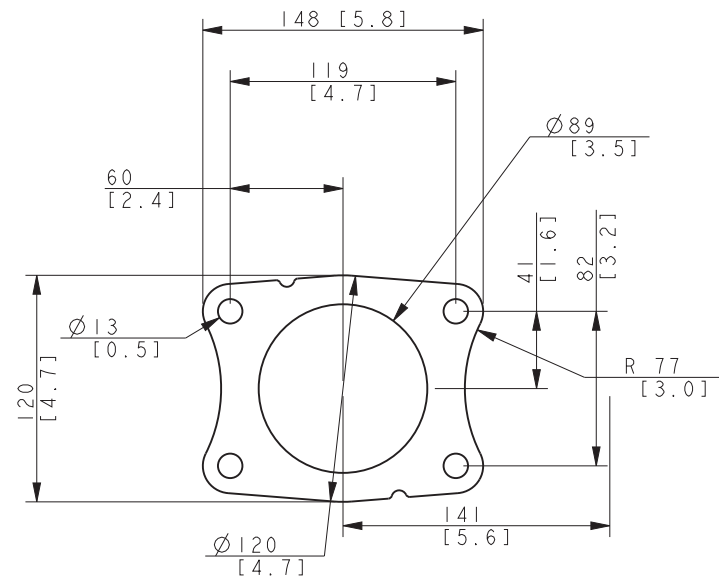
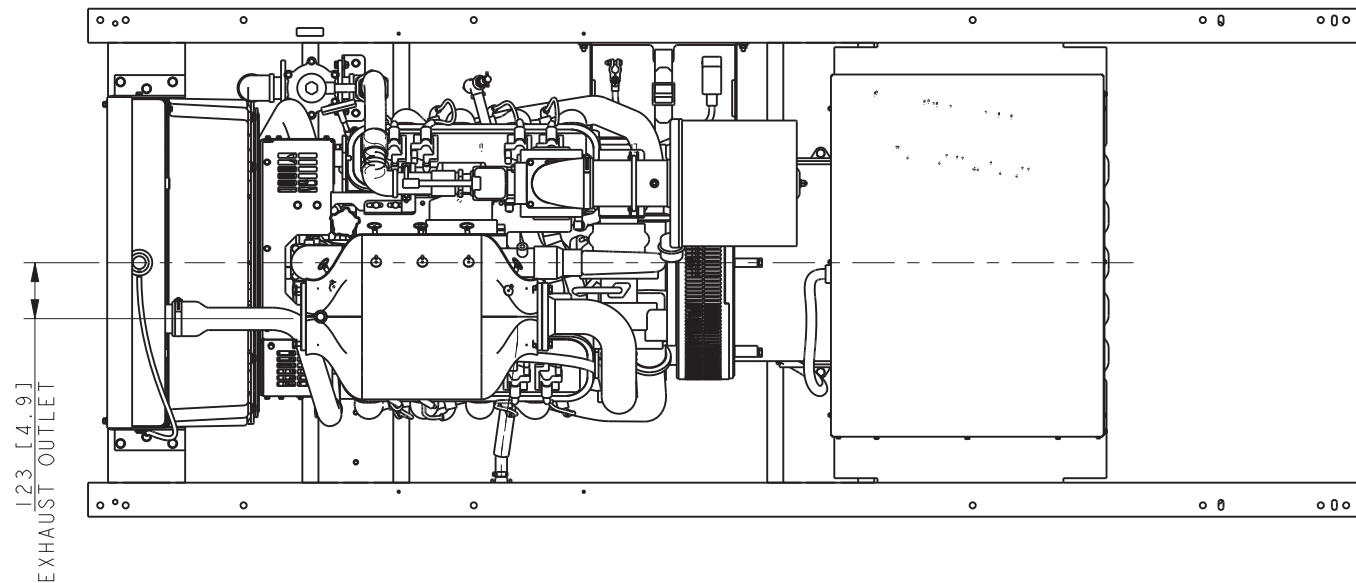
REV	DATE	ON COMPOSITE DWGS. SEE PART NO. FOR REVISION LEVEL	BY	UNLESS OTHERWISE SPECIFIED - 1) DIMENSIONS ARE IN MILLIMETERS 2) TOLERANCES ARE:
-	5-10-11	NEW DRAWING [92053]	KRH	X.XX ±
A	6-3-13	(B-4) "NON-EPA" & "1273 [50.1] EPA" REMOVED [CT49456]	SVP	X.X ±
B	5-22-18	(A-5) 332 [13.1] WAS 305 [12]; (A-6) 1756 [69.1] WAS 1850 [72.8]; (A-1) LIFTING LOCATION NOTE ADDED [CT187502]	NBS	X ANGLES ±

KOHLER CO. METRIC PRO-E
 POWER SYSTEMS, KOHLER, WI 53044 U.S.A.
 THIS DRAWING IN DESIGN AND DETAIL IS KOHLER CO. PROPERTY AND MUST NOT BE USED EXCEPT IN CONNECTION WITH KOHLER CO. WORK. ALL RIGHTS OF DESIGN OR INVENTION ARE RESERVED.

TITLE: **DIMENSION PRINT 125 GM 8.8L**

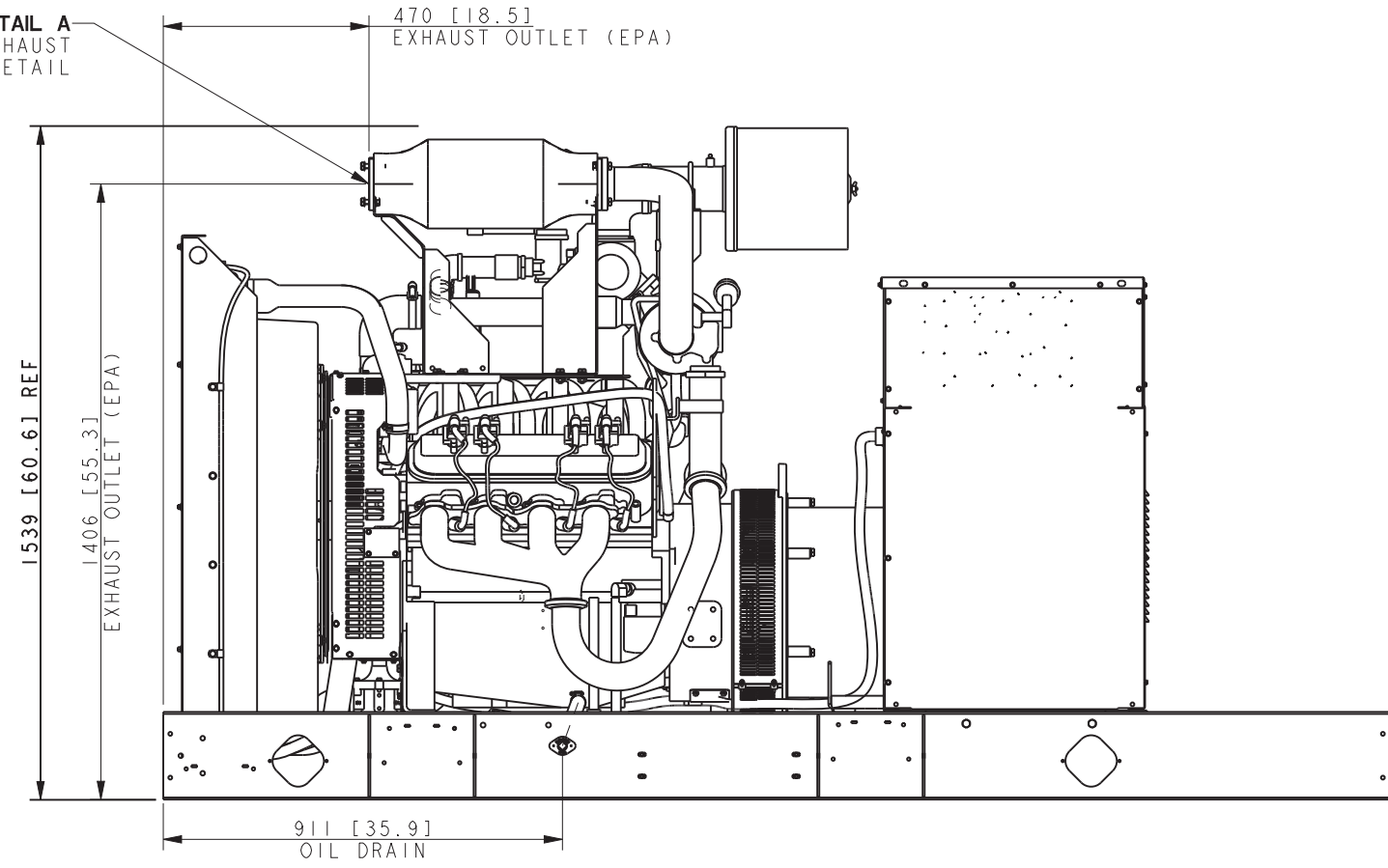
SCALE: 0.12 CAD NO. SHEET 1 of 2
 DWG NO. **ADV-8204**

APPROVALS	DATE
DRAWN KRH	5-10-11
CHECKED KRH	5-10-11
APPROVED JAL	5-10-11



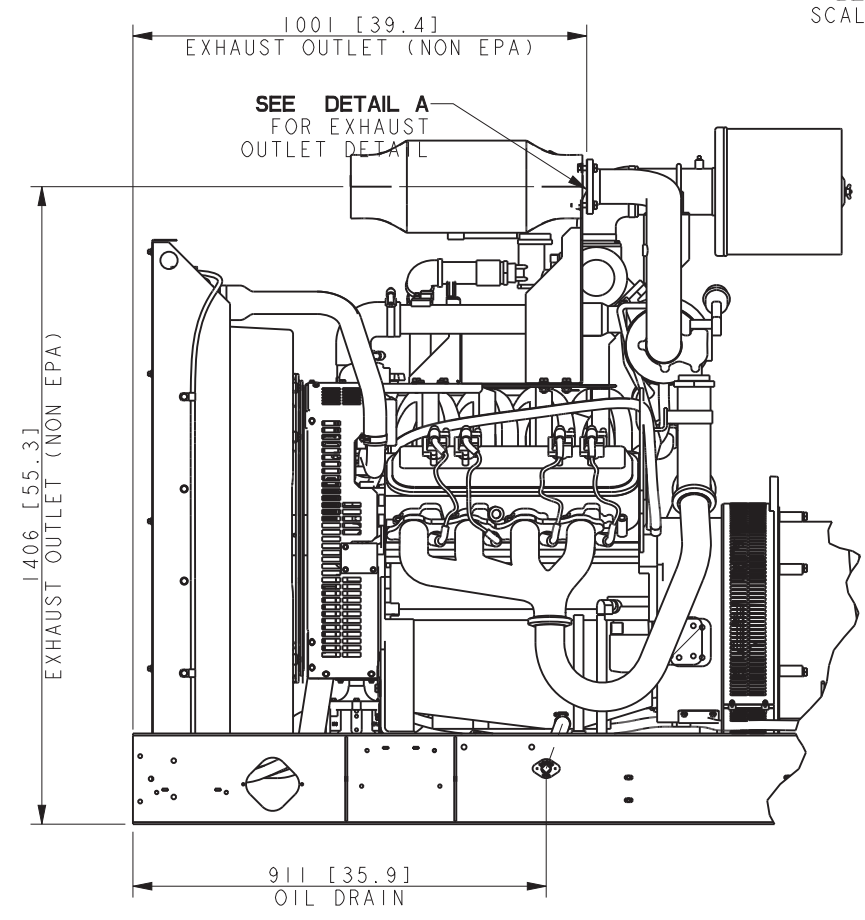
EXHAUST OUTLET
DETAIL A
SCALE 0.50

SEE DETAIL A
FOR EXHAUST
OUTLET DETAIL



EPA ENGINE

SEE DETAIL A
FOR EXHAUST
OUTLET DETAIL



NON EPA ENGINE

DIMENSIONS IN [] ARE
ENGLISH STANDARD EQUIVALENTS

125 MODEL, 4R12X/4R13X/4T13X
RECONNECTABLE,
IMPROVED MOTOR STARTING (IMS) RECONNECTABLE
& 600V ALTERNATORS
8.8 LITER GM

REV	DATE	ON COMPOSITE DWGS. SEE PART NO. FOR REVISION LEVEL	BY	UNLESS OTHERWISE SPECIFIED - 1) DIMENSIONS ARE IN MILLIMETERS 2) TOLERANCES ARE:	APPROVALS	DATE	TITLE
-	8-29-11	NEW DRAWING [92053]	KRH	X.XX ±		8-29-11	KOHLER CO. METRIC PRO-E POWER SYSTEMS, KOHLER, WI 53044 U.S.A. THIS DRAWING IN DESIGN AND DETAIL IS KOHLER CO. PROPERTY AND MUST NOT BE USED EXCEPT IN CONNECTION WITH KOHLER CO. WORK. ALL RIGHTS OF DESIGN OR INVENTION ARE RESERVED. DIMENSION PRINT 125 GM 8.8L SCALE 0.12 CAD NO. SHEET 2 of 2 DWG NO. ADV-8204
A	6-3-13	NON EPA VIEW ADDED. [CT49456]	SVP	X.X ±		8-29-11	
B	5-22-18	SEE SHEET 1 [CT187502]	NBS	ANGLES ±		8-29-11	
						8-29-11	