

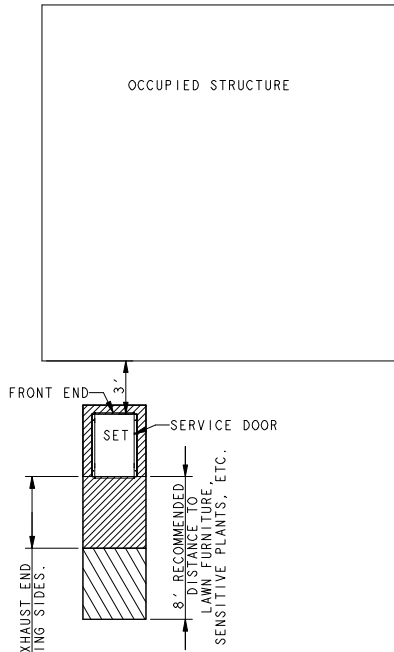
FRONT VIEW
(DOOR & SIDE PANEL
REMOVED TO SHOW DETAIL)

WEIGHT W/O BATTERY: 182Kg [400LBS]

REV	DATE	NEW DRAWING [69799]	REVISION	BY	APPROVALS	DATE	TITLE
-	5-20-03			MRS			
A	11-17-03	(A-1) WEIGHT & (A-4) CENTER OF GRAVITY ADDED; (C-5) TOP VIEW REMOVED. [71003]		MRS			
B	1-8-04	(A-4) 179 [7.0] ADDED; (A-2) 210 [8.3] ADDED; (D-5) TOP VIEW & DETAILS ADDED; [71262]		BTW			
C	4-30-04	(D-4, 5, 6)*3 FOOTNOTE REMOVED; FRONT, DISCHARGE & SERVICE DOOR NOTE ADDED; (A-1) SHEET 2 ADDED. [72259]		MRS			

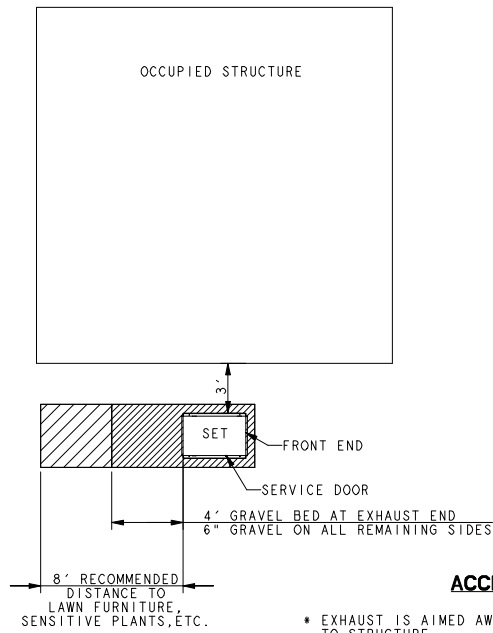
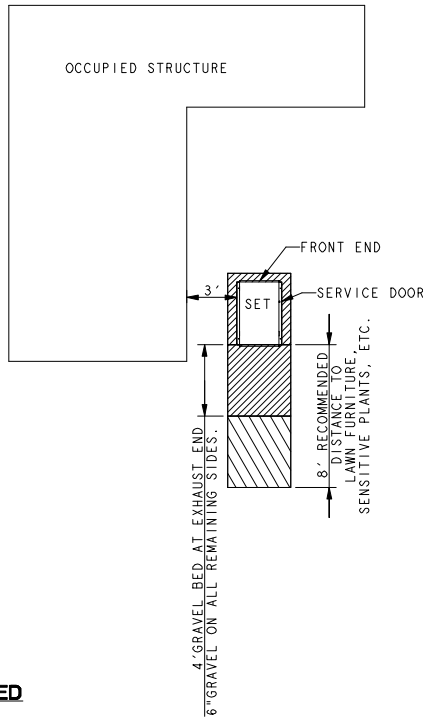
APPROVALS		DATE	TITLE
BTW		5-20-03	
MRS		5-20-03	
AJB		5-20-03	
AJB		5-20-03	

<p>UNLESS OTHERWISE SPECIFIED - DIMENSIONS ARE IN MILLIMETERS. TOLERANCES ARE: 2.0X ± 0.25 5.0X ± 0.5 OTHER ± 0.50 SURFACE FINISH MAX.</p>	<p>KOHLER CO. METRIC PROE POWER SYSTEMS, KOHLER, WI 53044 U.S.A. THIS DRAWING IN DESIGN AND DETAIL IS KOHLER CO. PROPERTY AND MUST NOT BE USED EXCEPT IN CONNECTION WITH KOHLER CO. WORK. ALL RIGHTS OF DESIGN OR INVENTION ARE RESERVED.</p>
<p>SCALE: .20X CAD NO. SHEET 1 of 2</p>	<p>DIMENSION PRINT ADV-6823</p>



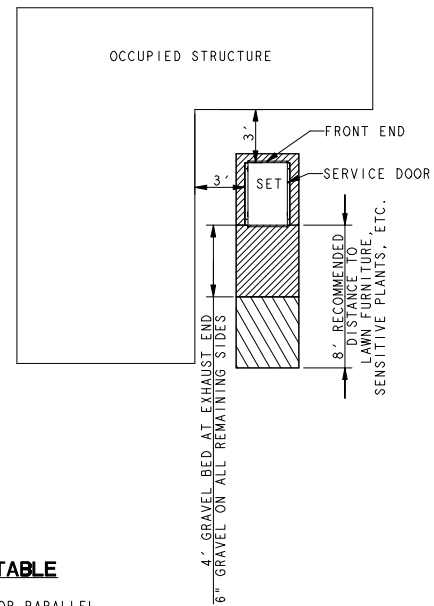
PREFERRED

- * EXHAUST IS COMPLETELY AIMED AWAY FROM THE STRUCTURE.
- * WEED BARRIER AND 3" THICK GRAVEL BASE LOCATED TO PREVENT GRASS & WEEDS FROM GROWING TOO CLOSE TO THE SET.
- * NO PLANTS, SHRUBS OR OTHER COMBUSTIBLES ALLOWED IN GRAVEL AREA.
- * SENSITIVE PLANTS, PATIO FURNITURE, ETC. ARE AT LEAST 8' FROM EXHAUST END OF SET.
- * SET HAS PROPER OFFSET FROM STRUCTURE.
- * WINDOWS & DOORS ON ADJACENT WALLS ARE CLOSED.
- * FURNACE AND OTHER SIMILAR INTAKES ARE AT LEAST 10' FROM EXHAUST END OF SET.
- * REFER TO OWNERS MANUAL FOR OTHER INSTALLATION CONSTRAINTS.



ACCEPTABLE

- * EXHAUST IS AIMED AWAY OR PARALLEL TO STRUCTURE.
- * WEED BARRIER AND 3" THICK GRAVEL BASE LOCATED TO PREVENT GRASS & WEEDS FROM GROWING TOO CLOSE TO THE SET.
- * NO PLANTS, SHRUBS OR OTHER COMBUSTIBLES ALLOWED IN GRAVEL AREA.
- * SENSITIVE PLANTS, PATIO FURNITURE, ETC. ARE AT LEAST 8' FROM EXHAUST END OF SET.
- * SET HAS PROPER OFFSET FROM STRUCTURE.
- * WINDOWS & DOORS ON ADJACENT WALLS ARE CLOSED.
- * FURNACE AND OTHER SIMILAR INTAKES ARE AT LEAST 10' FROM EXHAUST END OF SET.
- * REFER TO OWNERS MANUAL FOR OTHER INSTALLATION CONSTRAINTS.



REV	DATE	REVISION	BY	UNLESS OTHERWISE SPECIFIED - ALL DIMENSIONS ARE IN MILLIMETERS	KOHLER CO. METRIC PROE POWER SYSTEMS, KOHLER, WI 53044 U.S.A. THIS DRAWING IN DESIGN AND DETAIL IS KOHLER CO. PROPERTY AND MUST NOT BE USED EXCEPT IN CONNECTION WITH KOHLER CO. WORK. ALL RIGHTS OF DESIGN OR INVENTION ARE RESERVED.
C	4-30-04	SEE SHEET 1; SHEET 2 ADDED. (72259)	MRS	2. XX ± 0.25 2.5 X ± 0.12 ANGLES ± 0.5° MAX.	
				SURFACE FINISH MAX.	TITLE DIMENSION PRINT SCALE .20X CAD NO. SHEET 2 of 2 DWG NO. ADV-6823
				APPROVALS DATE DRAWN MRS 4-30-04	
				CHECKED A.J.B 4-30-04	
				APPROVED A.J.B 4-30-04	